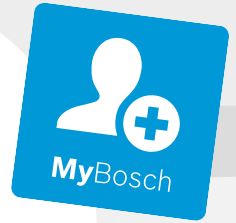




BOSCH



Register your
new device on
MyBosch now and
get free benefits:
[bosch-home.com/
welcome](https://bosch-home.com/welcome)

Gas cooker

PBP6C....

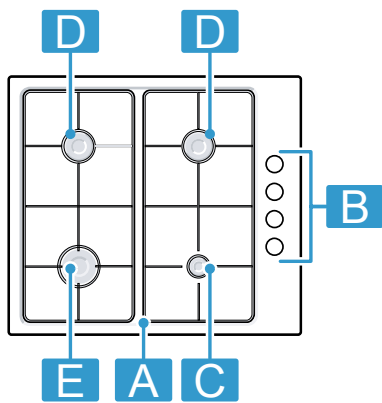
[en]	User manual	2
[kk]	Пайдаланушы нұсқаулықтар	12
[ru]	Руководство пользователя	23

Table of contents

1	2	7	Before first use.....	6
2	Safety.....	2	8	Setting the hob.....	7
3	Preventing material damage.....	4	9	Table – Cooking.....	7
4	Causes of damage.....	5	10	Cookware.....	8
5	Environmental protection and saving energy.....	5	11	Cleaning and care.....	8
6	Your new appliance.....	6	12	Troubleshooting.....	10
			13	Customer Service.....	11
			14	Disposal.....	11

1

PBP6C....



A	Pan support	-
B	Control panel	-
C	Economy burner	1 kW
D	Standart output burner	1,7 kW
E	High output burner	3 kW

2 Safety

Observe the following safety instructions.

2.1 General information

- Read this instruction manual carefully.
- Keep the instruction manual and the product information safe for future reference or for the next owner.
- Do not connect the appliance if it has been damaged in transit.

2.2 Intended use

The appliance can only be used safely if it is correctly installed according to the safety instructions. The installer is responsible for ensuring that the appliance works perfectly at its installation location.

Only use this appliance:

- To prepare meals and drinks.
- Under supervision. Never leave the appliance unattended when cooking for short periods.
- In private households and in enclosed spaces in a domestic environment.
- Up to an altitude of max. 2000 m above sea level.

Do not use the appliance:

- On boats or in vehicles.
- as a room heater.
- with an external timer or a remote control.

Call the after-sales service if you want to convert your appliance to a different type of gas.

2.3 Restriction on user group

This appliance may be used by children aged 8 or over and by people who have reduced physical, sensory or mental abilities or inadequate experience and/or knowledge, provided that they are supervised or have been instructed on how to use the appliance safely and have understood the resulting dangers.

Children must not play with the appliance. Children must not perform cleaning or user maintenance unless they are at least 15 years old and are being supervised.

Keep children under the age of 8 years away from the appliance and power cable.

2.4 Safe use

WARNING – Risk of explosion!

Escaping gas may cause an explosion. **WHAT TO DO IF YOU SMELL GAS OR IF THERE ARE FAULTS IN THE GAS INSTALLATION**

- ▶ Immediately shut off the gas supply or close the gas cylinder valve.
- ▶ Immediately extinguish all naked flames and cigarettes.
- ▶ Do not operate any light switches or appliance switches.
- ▶ Do not pull any plugs out of any sockets.
- ▶ Do not use any telephones or mobile phones within the building.
- ▶ Open windows and ventilate the room.
- ▶ Call the after sales service or the gas supplier.

Escaping gas may cause an explosion. Small amounts of gas can collect over a longer period of time and ignite.

- ▶ Close the safety valve for the gas supply when the appliance is out of use for prolonged periods.

Escaping gas may cause an explosion. If the liquefied gas bottle is not upright, liquefied propane/butane can enter the appliance. Intense darting flames may therefore escape from the burners. Components may become damaged and start to leak over time so that gas escapes uncontrollably.

- ▶ Always use liquefied gas bottles in an upright position.

⚠ WARNING – Risk of suffocation!

Using the gas cooking appliance leads to a build-up of heat, moisture and combustion products in the room where the appliance is installed.

- ▶ Ensure that the kitchen is sufficiently ventilated, in particular when operating the gas cooking appliance.
- ▶ If the appliance is used intensively and for prolonged periods, ensure that there is additional ventilation so that the combustion products are safely fed to the outside, e.g. if using existing ventilation equipment, set a higher performance level and, at the same time, ensure that the air is replaced with fresh air in the room where the appliance is installed.
- ▶ Consult specialist personnel when installing additional ventilation equipment.

⚠ WARNING – Risk of fire!

Leaving fat or oil cooking on an unattended hob can be dangerous and may lead to fires.

- ▶ Never leave hot oil or fat unattended.
- ▶ Never attempt to extinguish a fire using water; instead, switch off the appliance and then cover with a lid or a fire blanket.

The appliance becomes very hot.

- ▶ Never place flammable objects on the hob or in its immediate vicinity.
- ▶ Never store any objects on the hob.

Hob covers can cause accidents, for example due to overheating, catching fire or materials shattering.

- ▶ Do not use hob covers.

When gas burners are in operation without any cookware placed on them, they can build

up a lot of heat. The extractor hood above it may become damaged or catch fire.

- ▶ Only operate the gas burners with cookware on them.

The appliance becomes very hot, fabrics and other objects may ignite.

- ▶ Keep fabrics (e.g. garments or curtains) away from the flames.
- ▶ Never reach over the flames.
- ▶ Do not place combustible objects (e.g. tea towels or newspapers) on, next to or behind the appliance.

Escaping gas may ignite.

- ▶ If the burner does not ignite after 15 seconds, turn the control knob to the "Off" position and open the door or window in the room. Wait at least one minute before igniting the burner again.
- ▶ In the event of the burner flames being accidentally extinguished, turn off the burner control and do not attempt to re-ignite the burner for at least one minute.

Food may catch fire.

- ▶ The cooking process must be monitored. A short process must be monitored continuously.

⚠ WARNING – Risk of burns!

The accessible parts can become hot during operation.

- ▶ Small children should be kept away from the appliance.

Hob protective grilles may cause accidents.

- ▶ Never use hob protective grilles.

Empty cookware becomes extremely hot when set on gas burners that are operating.

- ▶ Never heat up empty cookware.

The appliance becomes hot during operation.

- ▶ Allow the appliance to cool down before cleaning.

⚠ WARNING – Risk of electric shock!

Incorrect repairs are dangerous.

- ▶ Repairs to the appliance should only be carried out by trained specialist staff.
- ▶ Only use genuine spare parts when repairing the appliance.
- ▶ If the power cord of this appliance is damaged, it must be replaced by the manufacturer, the manufacturer's Customer Service or a similarly qualified person in order to prevent any risk.

If the appliance or the power cord is damaged, this is dangerous.

- ▶ Never operate a damaged appliance.
- ▶ Never pull on the power cord to unplug the appliance. Always unplug the appliance at the mains.
- ▶ If the appliance or the power cord is damaged, immediately unplug the power cord or switch off the fuse in the fuse box and turn off the gas supply.
- ▶ Call customer services. → *Page 11*

An ingress of moisture can cause an electric shock.

- ▶ Do not use steam- or high-pressure cleaners to clean the appliance.

The insulation on cables of electrical appliances may melt if it touches hot parts of the appliance.

- ▶ Never bring electrical appliance cables into contact with hot parts of the appliance.

⚠ WARNING – Risk of injury!

Faults or damage to the appliance and repairs that have not been carried out correctly are dangerous.

- ▶ Never switch on the appliance if there is a fault with it.
- ▶ If the appliance is faulty, unplug the mains plug or switch off the fuse in the fuse box.

Shut off the gas supply and call the after sales service.

- ▶ Always have repairs carried out to the appliance and damaged gas lines replaced by trained, specialist personnel.

Cookware that is not the right size, or that is damaged or incorrectly positioned may cause serious injuries.

- ▶ See the notes on cookware.

When switching on the burner, sparks are generated in the ignition plugs.

- ▶ Never touch the ignition plugs while the burner is being lit.

If a control knob is too stiff to turn or it is loose, it must no longer be used.

- ▶ Contact our after-sales service immediately to have the control knob repaired or replaced.

⚠ WARNING – Risk of suffocation!

Children may put packaging material over their heads or wrap themselves up in it and suffocate.

- ▶ Keep packaging material away from children.
- ▶ Do not let children play with packaging material.

Children may breathe in or swallow small parts, causing them to suffocate.

- ▶ Keep small parts away from children.
- ▶ Do not let children play with small parts.

3 Preventing material damage

ATTENTION!

A build-up of heat may damage the appliance.

- ▶ Never cover the stainless steel hob, for example with aluminium foil or oven protectors.
- ▶ Only use the accessories specified.

Heat can cause damage to adjacent appliances or kitchen units. If the appliance is in operation for an extended period, heat and moisture will be generated.

- ▶ Open a window or switch on an extractor hood leading to the outside.

A build-up of heat may damage the appliance.

- ▶ Do not use two burners or heat sources to heat one single item of cookware.
- ▶ Avoid using griddle plates, clay pots, etc. for a long time at full power.

If a control knob is in the wrong position, this could lead to malfunctions.

- ▶ Always turn the control knob to the "Off" position when the appliance is not being used.

Acidic liquids, such as lemon juice or vinegar, may damage the surface of the appliance.

- ▶ Do not leave acidic liquids on the hob.

4 Causes of damage

Causes of damage to the hotplate

4.1 Causes of damage

⚠ WARNING – Risk of electric shock!

Incorrect repairs are dangerous.

- ▶ Repairs to the appliance should only be carried out by trained specialist staff.
 - ▶ Only use genuine spare parts when repairing the appliance.
 - ▶ If the power cord of this appliance is damaged, it must be replaced by the manufacturer, the manufacturer's Customer Service or a similarly qualified person in order to prevent any risk.
1. Only use the hotplates when cookware has been placed on top of them. Do not heat up empty pots or pans. The pot base will be damaged.
 2. Only use pots and pans with an even base.
 3. Place the pot or pan centrally over the burner. This will optimise transfer of the heat from the burner flame to the pot or pan base. The handle or grip is not damaged, and greater energy savings are guaranteed.
 4. Ensure that the hotplate burners are clean and dry. The burner cup and burner cover must be in exactly the right position.

5. If you operate your appliance with a gas cylinder, stand the gas cylinder upright. If a gas bottle is used when it is laying on its side, internal parts of the appliance may be damaged and this may result in a gas leak.
6. Do not place hot cookware on the display or the frame.
7. Salt, sugar and sand may cause scratches on the glass. Do not use the hotplate as a work surface, kitchen worktop or storage space.
8. Damage may occur if hard or pointed objects fall on the hotplate. Do not store any objects on the hotplate.
9. Sugar or food with a high sugar content may damage the hotplate. Remove boiled-over food immediately with a glass scraper. Caution: The scraper is pointed.
10. The area around the appliance must be clean and dry. Always keep the appliance and the area around it clean and dry after cleaning. Ensure that there are no cleaning materials, cleaning products or water marks on any of the appliance's surfaces.
11. Lyes or similar chemicals which get into the gas components below the hotplates or on the burner seat may lead to problems with the gas components. When removing food remnants or residual liquids from the burner seat, do not use lye or similarly effective chemicals.

5 Environmental protection and saving energy

Help protect the environment by using your appliance in a way that conserves resources and by disposing of reusable materials properly.

5.1 Disposing of packaging

The packaging materials are environmentally compatible and can be recycled.

- ▶ Sort the individual components by type and dispose of them separately. Information about current disposal methods are available from your specialist dealer or local authority.

5.2 Saving energy

If you follow these instructions, your appliance will use less energy.

Choose a burner roughly the same size as your pan. Centre the cookware on the hob. Use cookware whose base diameter is the same diameter as the hotplate.

Tip: Cookware manufacturers often give the upper diameter of the saucepan. It is often larger than the base diameter.

- Unsuitable cookware or incompletely covered cooking zones consume a lot of energy.

Cover saucepans with suitable lids.

- Cooking without a lid consumes far more energy.

Lift the lid as infrequently as possible.

- When you lift the lid, a lot of energy escapes.

Using a glass lid

- You can see into the pan through a glass lid without having to lift it.

Use cookware suited to the quantity of food.

- Large items of cookware containing little food need more energy to heat up.

Cook with little water.

- The more water in cookware, the more energy is required to heat it up.

Turn down to a lower heat setting early on. Use a suitable ongoing cooking setting to continue cooking.

- If you continue cooking with an ongoing cooking setting that is too high, you'll waste energy

6 Your new appliance

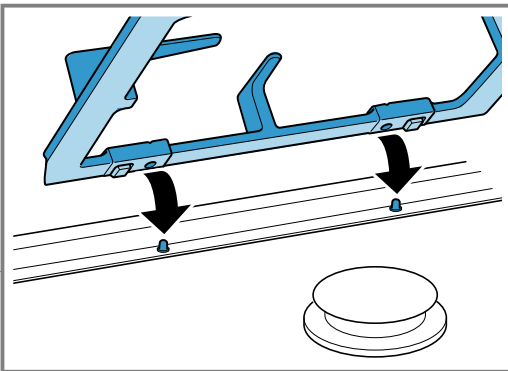
In this section, you will find information about your new appliance.

6.1 Gas burner button

- ▶ There are indicators on the buttons to show which burner is operated by which control knob. Use the appropriate button.

6.2 Setting up the grill

- ▶ Make that the grill is inserted correctly in order to ensure the functionality of the appliance. Set up according to the appliance type.



6.3 Gas cooking zone selector

Use the gas cooking zone selector to set the heat setting for the cooking zones.

Position	Function	Description
⏏	Zero setting	The hob is switched off.
🔥	Control panel	Large flame = highest setting Small flame = lowest setting

There is a limit stop at the end of the settings range. Do not turn the selector beyond this point.

6.4 Espresso pot trivet

Use the supplied coffee pot trivet for the economy burner when making Turkish coffee using pans that have a base less than 12 cm in diameter or coffee pots.

1. Place the coffee pot trivet on the economy burner's pan support.
2. Do not use the coffee pot trivet with pans with a base that is more than 12 cm in diameter.
3. The coffee pot trivet is suitable for the economy burner only.

7 Before first use

This is where you can find out how to clean your hob before the first use.

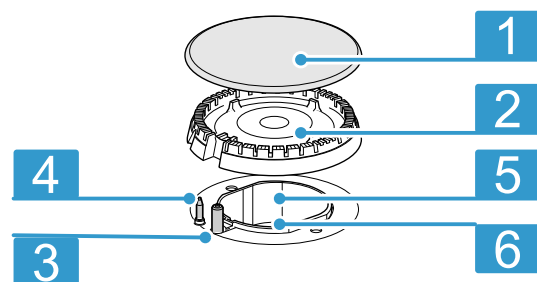
7.1 Cleaning the accessories

- ▶ Before you use the accessory for the first time, clean it thoroughly with hot soapy water and a soft dish cloth.

7.2 Precleaning burner lids and burner cups

1. Clean the burner lids (1) and the burner cups (2) using water and washing-up liquid. Carefully dry the individual parts.
2. Place the burner cups and the burner lids on the burner plate (5). Ensure that the igniter (3) and the flame safety pin (4) are not damaged.

3. Keep the nozzle (6) dry and clean. Ensure that the burner lid is positioned precisely in the centre on the burner cup.



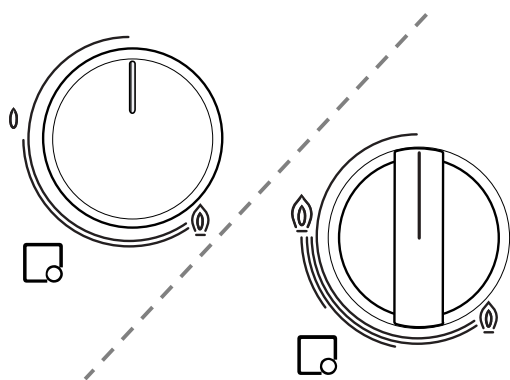
8 Setting the hob

Your hob is equipped with four gas burners. The following information explains how to light the gas burners and set the size of flame.

8.1 Operating gas hob

Ensure that the hotplate burners are clean and dry. The burner cup and burner cover must be in exactly the right position.

1. Press the burner knob of the selected burner in and turn it anti-clockwise to the highest power level. When the burner knob is pressed, the ignition process starts.
2. Press and hold the burner knob for 3-5 seconds. Gas begins to flow out and the gas burner ignites.
The safety pilot is activated. If the gas flame goes out, the gas supply is automatically cut off by the safety pilot.



3. Set the required flame height. The flame is not stable between the Off position and the highest power level. For this reason, you should always select a setting between the highest and lowest power level.
4. If the flame goes out again, repeat the process from step 1.
5. To finish cooking, turn the burner knob clockwise to the Off position.

The burner knob should not be pressed in the ignition position for longer than 15 seconds. If the burner does not ignite within 15 seconds, wait at least one minute. Then repeat the ignition process.

Caution!

If, after switching the gas hob off, you turn the burner knob while the gas hob is still hot, gas will escape. If you do not press the burner knob, the gas is not ignited and the gas supply is interrupted within 90 seconds.

8.2 No ignition occurs

If there is a power cut or if the ignition plugs are damp, you can light the gas burners with a gas lighter or a match.

Warnings

It is normal to hear a soft whistling noise while the burner is operating.

8.3 Important information about the gas hob

Follow these instructions when using your gas hob.

- A slight whistling when operating the burner is normal.
- Odour formation during the first uses is normal. This does not indicate a risk or malfunction. It will stop after a while.
- An orange flame is normal. This is caused by dust in the air, overflowing liquids, etc.
- If the burner's flame accidentally goes out, switch off the burner's selector and wait at least 1 minute before igniting the burner again.
- A few seconds after switching off the hob, you may hear noises, such as a slight clicking, from the burner. This is not unusual, but shows that the pilot is deactivated.
- Keep the ignition plugs clean. If the ignition plugs are dirty, the igniter is damaged. Clean the ignition plugs regularly with a small, metal-free brush. Ensure that the ignition plugs are not exposed to any heavy knocks.

9 Table – Cooking

Cooking times may vary depending on the type of food, its weight and quality. Deviations are therefore possible. You yourself can best judge the optimal cooking time.

Select the right pot size for each cooking zone. The diameter of the saucepan or pan base should be the same as that of the cooking zone.

Note: Vitamins and minerals in the food can easily be lost. You should therefore use as little water as possible when cooking, so that the food retains its vitamins and minerals. Select short cooking times so that the vegetables remain firm and full of nutrients.

Example	Food	Cooking zone	Power level
Melting	Chocolate, butter, margarine	Economy burner Electric hotplate**	Small flame 1-2
Heating	Stock, tinned vegetables	Standard-output burner Electric hotplate**	Small flame 2-3-4-5
Heating and keeping warm	Soups	Economy burner Electric hotplate**	Small flame 2-3
Steaming*	Fish	Standard-output burner Electric hotplate**	Between large and small flame 5
Braising*	Potatoes and miscellaneous vegetables, meat	Standard-output burner Electric hotplate**	Between large and small flame 6-7-8
Cooking*	Rice, vegetables, meat dish (with sauces)	Standard-output burner Electric hotplate**	Large flame 7-8
Frying	Pancakes, potatoes, schnitzel, fish fingers	Large burner** Wok burner** Electric hotplate**	Between large and small flame Between large and small flame 9

Notes

- * If you are using a pan with a lid, turn the flame down as soon as the food starts to boil.

- ** Optional. Available for some appliances. Depending on the appliance model. (For frying on the wok burner, we recommend that you use a wok.)

10 Cookware

This information has been provided to help you save energy and avoid damaging your cookware.

10.1 Using cookware

The selection and positioning of the cookware affects the safety and energy efficiency of your appliance.

⚠ WARNING – Risk of fire!

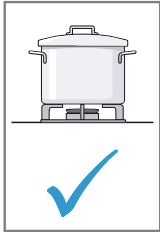
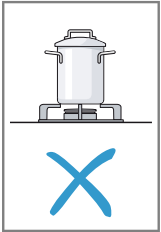
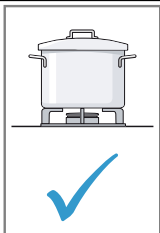
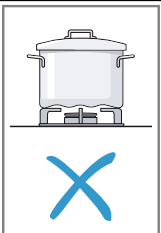
Flammable objects may ignite.

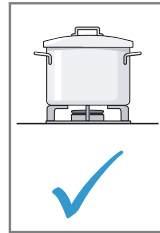
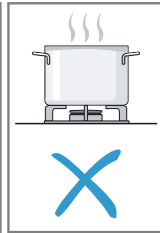
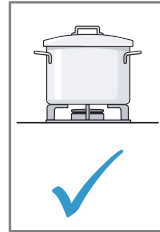
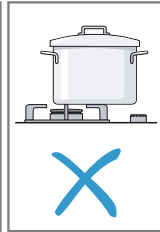
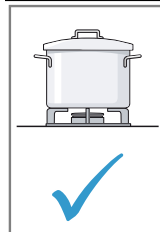
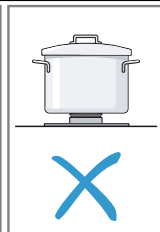
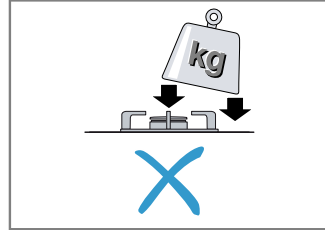
- ▶ Maintain a distance of at least 50 mm between the cookware and flammable objects.

⚠ WARNING – Risk of injury!

An incorrectly positioned wok may cause injuries. The wok is not stable and may overturn.

- ▶ Use the wok only on the wok burner and the wok ring. Never set the wok ring and wok on the standard output burner and high-output burner.

		<ul style="list-style-type: none"> ▪ Ensure that the size of the cookware is suitable for the burner size. ▪ Never use small cookware on large burners. ▪ Ensure that the flame does not touch the sides of the cookware.
		<ul style="list-style-type: none"> ▪ Do not use deformed cookware. ▪ Deformed cookware is not stable on the cooktop and may tip over. ▪ Use cookware with a thick, flat base.

		<ul style="list-style-type: none"> ▪ Do not cook without a lid. ▪ Ensure that the lid does not move. ▪ When cooking without a lid, a large amount of the energy escapes.
		<ul style="list-style-type: none"> ▪ Position the cookware in the middle of the burner, otherwise it may tip over. ▪ Do not position large cookware on the burners close to the controls. ▪ The controls may be damaged due to overheating.
		<ul style="list-style-type: none"> ▪ Place the cookware on the pan supports. ▪ Never place the cookware directly on the burner. ▪ Before using the appliance, ensure that the pan supports and the gas burner covers are positioned correctly.
		<ul style="list-style-type: none"> ▪ Handle the cookware that is on the hob carefully. ▪ Do not bang on the hob. ▪ Do not place heavy weights on the hob.

11 Cleaning and care

With careful cleaning and good care, your appliance will remain fully functioning for a long time to come. To be safe, close the gas supply on the gas regulator. (If your cooking zone is set to natural gas, close the natural gas tap).

Disconnect the appliance from the mains power supply.

If required, wait until the cooking zone has cooled down.

Damage to the various surfaces caused by using the wrong cleaning agent can be avoided by observing the following instructions.

- Do not use any high-pressure cleaners or steam jets.
- Do not use flammable materials such as acids, dilution, petrol or benzene.
- Do not use abrasive cleaning agents or cleaning materials.

If you clean your cooking zone

- Do not use undiluted washing-up liquid or dishwasher detergent,

- Do not use cleaning products with a high alcohol content,
- Do not use hard scouring pads or cleaning sponges,
- Do not use abrasive cleaning agents such as oven cleaner or stain remover,
- And do not use harsh or abrasive cleaning products.
- Do not clean individual parts in the dishwasher.
- Wash new sponge cloths thoroughly before use.

11.1 Cleaning

Observe the following instructions for cleaning.

Area	Cleaning instructions
Stainless steel fronts	Clean it with stainless-steel cleaning agent and a soft cloth. Wipe in parallel to the natural grain. Otherwise, you may scratch the surface. Dry with a soft cloth. Remove splashes and patches of limescale, grease, starch and albumin (e.g. egg white) immediately. Do not use aggressive cleaners, abrasive sponges or rough cleaning cloths. Use stainless-steel cleaning products to polish the stainless steel fronts. Follow the manufacturer's instructions. Special stainless-steel cleaning products are available from our after-sales service or from specialist retailers.
Enamel, painted surfaces and screen-printed surfaces	Wipe the appliance with hot water and some washing-up liquid. Dry with a soft cloth.
Gas hob burners and steel grids	Do not clean in the dishwasher. Remove the steel grids and clean with a sponge, washing-up liquid and some hot water. Remove the burner casing and burner cap. Clean with a sponge, washing-up liquid and some hot water. Ensure that the gas openings on the burner casing are clean and are not blocked. Clean the igniters with a small, soft brush. The gas burners only work properly when the igniters are clean. Use a cloth and some hot soapy water to remove the food remains from the burner casing. Only use a little water for this. Water must not be allowed to enter the appliance. Ensure that the nozzle opening is not blocked or damaged during the cleaning process. Dry all of the parts thoroughly after they are cleaned, and place the burner caps exactly onto the burner casings. Individual parts that are not correctly positioned make it difficult for the burner to ignite. Fit the steel grids. The cleaning agent that we recommend for cleaning the steel grids is available from our after-sales service or specialist retailers.
Electric hotplate (depending on the appliance model)	Clean with the hard side of a scouring sponge and some liquid scouring agent. After cleaning, switch the hob on briefly to dry it. Wet hobs rust over time. Then apply a care product. Always remove spilt liquids and food residue immediately.

Area	Cleaning instructions
Metal ring on the electric hotplate* (depending on the appliance model)	Over time, discolourations may occur, which can no longer be removed. This can be used to remove discolouration. Clean the ring with the hard side of a scouring sponge and some liquid scouring agent. In doing so, do not touch the adjacent surfaces. The surfaces may be damaged. The recommended cleaning agents for the metal ring on the electric hotplate is available from our after-sales service or specialist retailers.
Rotary knobs	Wipe the appliance with hot water and some washing-up liquid. Dry with a soft cloth.
the accessories	Soak in warm soapy water. Clean with a non-metallic brush or sponge.
Upper glass cover (depending on the appliance model)	Glass cleaner: Clean with a soft cloth. You can remove the upper glass cover for cleaning. To do this, refer to the section "Upper glass cover".

If the steel grids are provided with a rubber plug, take care when cleaning. The plug may come loose and the steel grid may scratch the hotplate. After cleaning and drying the steel grids, ensure that they are positioned correctly on the hotplate.

11.2 Care

In order to retain the functionality of your device, observe the following instructions for care.

- Always clean off any liquid that boils over immediately. This prevents food remains from sticking and prevents the need for unnecessary force.
- After each use, clean the surfaces of the burner once it has cooled down. Residues on the surface, such as boiled-over food or splashes of fat, form a coating and make subsequent cleaning difficult. To ensure that the flame can burn correctly, the openings and channels must be clean.
- When moved, some cookware may leave metal marks on the steel grid.
- Clean the burners and steel grids with hot, soapy water and brush with a non-metallic brush.
- Do not clean parts of the appliance in the dishwasher.
- Keep the burners and steel grids clean. Water droplets or damp patches at the start of cooking may damage the enamel.
- Do not use stainless-steel cleaning agents close to the selector. The screen-printed symbols may be smudged.
- Carefully clean acidic agents, such as spilled oil or lemon juice.
- Do not use abrasive cleaning agents to clean the control panel. Otherwise, the label may be destroyed.
- The burner cap is coated in black enamel. The high temperatures may cause discolouration. The hotplate function is not affected by this.

- Due to the risk of scratches, do not move pans on the surface. Do not let heavy or hard objects fall onto the glass. Do not bump into it with any part of the pots.
- Grains of sand from washed fruit or vegetables may scratch the glass surface.
- Use a glass scraper to remove melted sugar or food with a high sugar content on the hotplate.
- Remove salt from the electric hotplate.

12 Troubleshooting

You can rectify minor faults on your appliance yourself. Read the troubleshooting information before contacting after-sales service. This will avoid unnecessary costs.

WARNING – Risk of injury!

Improper repairs are dangerous.

- ▶ Repairs to the appliance should only be carried out by trained specialist staff.
- ▶ If the appliance is defective, call Customer Service.

WARNING – Risk of electric shock!

Incorrect repairs are dangerous.

- ▶ Repairs to the appliance should only be carried out by trained specialist staff.
- ▶ Only use genuine spare parts when repairing the appliance.
- ▶ If the power cord of this appliance is damaged, it must be replaced by the manufacturer, the manufacturer's Customer Service or a similarly qualified person in order to prevent any risk.

12.1 Malfunctions

Fault	Cause and troubleshooting
The general electrical operation is impaired.	<p>The circuit breaker is faulty.</p> <ul style="list-style-type: none"> ▶ Check the circuit breaker in the fuse box. <p>The circuit breaker or one of the residual-current circuit breakers has been triggered.</p> <ul style="list-style-type: none"> ▶ In the fuse box, check whether the circuit breaker or one of the residual-current circuit breakers has been triggered. <p>The mains plug of the power cord is not plugged in.</p> <ul style="list-style-type: none"> ▶ Connect the appliance to the power supply. <p>There has been a power cut.</p> <ul style="list-style-type: none"> ▶ Check whether the lighting in your kitchen or other appliances are working.
Automatic ignition is not working.	<p>Food remnants or dirt are located between the ignition plug and the burner.</p> <p>Burner parts are wet.</p> <p>The burner parts are positioned incorrectly.</p> <ul style="list-style-type: none"> ▶ Correctly position the burner parts. <p>The appliance is not earthed or has not been connected correctly, or the earth cable is damaged.</p> <ul style="list-style-type: none"> ▶ Contact an electrician.
The burner flame is not uniform.	<p>The burner parts are positioned incorrectly.</p> <ul style="list-style-type: none"> ▶ Correctly position the burner parts. <p>Openings on the burner are soiled.</p>
The gas does not appear to be flowing normally or there is no gas being produced at all.	<p>The gas supply has been shut off by the intermediate valves.</p> <ul style="list-style-type: none"> ▶ Open the intermediate valves. <p>The gas cylinder is empty.</p>
There is a smell of gas in the kitchen.	<p>The control knob is open.</p> <ul style="list-style-type: none"> ▶ Close the control knob. <p>The gas cylinder has not been connected correctly.</p> <ul style="list-style-type: none"> ▶ Ensure that the gas cylinder has been connected correctly.

Fault	Cause and troubleshooting
There is a smell of gas in the kitchen.	<p>The gas pipe to the appliance is leaking.</p> <ol style="list-style-type: none"> 1. Close the main gas tap. 2. Ventilate the room. 3. Immediately call an authorised installer, who can inspect the gas system and issue an installation certificate. 4. Do not use the appliance until you are sure that gas is not leaking from the installation or the appliance.
The burner switches off as soon as you release the control knob.	<p>Control knob not pressed down long enough.</p> <p>Openings on the burner are soiled.</p>

13 Customer Service

If you have any queries on use, are unable to rectify faults on the appliance yourself or if your appliance needs to be repaired, contact Customer Service. Detailed information on the warranty period and terms of warranty in your country is available from our after-sales service, your retailer or on our website. If you contact Customer Service, you will require the product number (E-Nr.) and the production number (FD) of your appliance. The contact details for Customer Service can be found in the enclosed Customer Service directory or on our website.

13.1 Product number (E-Nr.) and production number (FD)

You can find the product number (E-Nr.) and the production number (FD) on the appliance's rating plate. Make a note of your appliance's details and the Customer Service telephone number to find them again quickly.

14 Disposal

Find out here how to dispose of old appliances correctly.

14.1 Disposing of old appliance

Valuable raw materials can be reused by recycling.

1. Unplug the appliance from the mains.
2. Cut through the power cord.
3. Dispose of the appliance in an environmentally friendly manner.

Information about current disposal methods are available from your specialist dealer or local authority.



This appliance is labelled in accordance with European Directive 2012/19/EU concerning used electrical and electronic appliances (waste electrical and electronic equipment - WEEE).

The guideline determines the framework for the return and recycling of used appliances as applicable throughout the EU.

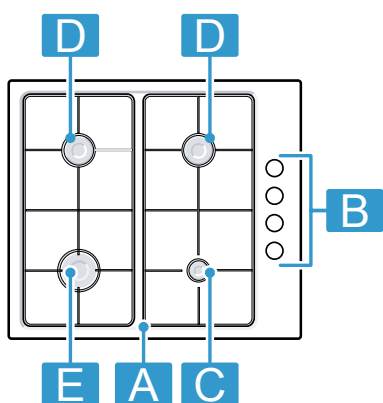
Мазмұны

1	12
2	Қауіпсіздік	12
3	Материалдық зияндардың алдын алу	14
4	Зақымдар себептері	15
5	Қоршаған ортаны қорғау және сақтау.....	15
6	Сіздің жаңа құрылғыңыз.....	16

7	Алғашқы пайдаланудың алдында	16
8	Пісіру панелін реттеу	17
9	Кесте - Пісіру.....	17
10	Пісіру ыдысы	18
11	Тазалау және күту	19
12	Ақауларды жою	21
13	Сервистік қызмет көрсету	22
14	Кәдеге жарату.....	22

1

PBP6C....



A	Тор	-
B	Реттеу тетігі	-
C	Тиімді жанары	1 kW
D	Стандартты жанары	1,7 kW
E	Каты жанатын жанары	3 kW

2 Қауіпсіздік

Келесі қауіпсіздік техникасының нұсқауларын ескеріңіз.

2.1 Жалпы нұсқаулар

- Бұл нұсқаулықты мұқият оқып шығыңыз.
- Нұсқаулықты және өнім мәліметтерін келешекте пайдалану үшін сақтап қойыңыз.
- Құрылғыны тасымалдау зақымдары болғанда қоспаңыз.

2.2 Тиісті ретте пайдалану

Тек орнату нұсқаулығы бойынша мамандық орнату пайдалану қауіпсіздігін қамтамасыз етеді. Орнатушы орнатылған жерде кедергісіз жұмыс істеуі үшін жауапкер.

Құрылғыны тек төмендегі ережелерді сақтап пайдаланыңыз:

- тамақ және сусындар дайындауға.
- бақылауда ұстау керек. Қысқа мерзімді ас әзірлеу процесін әрдайым бақылауда ұстау керек.
- жеке үйлерде және үйдегі жабық бөлмелерде.
- теңіз деңгейінен 2000 м биіктікке дейін.

Құрылғыны мына әрекеттер үшін пайдаланбаңыз:

- қайықтар мен автокөліктерде.
- жылытқыш ретінде.
- сыртқы таймермен немесе қашықтан басқару пультімен бірге.

Құрылғыны басқа газ түріне алмастыру үшін, қызмет көрсету орталығына қоңырау шалыңыз.

2.3 Пайдаланушыларды шектеу

Бұл құрылғыны жасы 8-дегі және одан үлкен балалардың, сонымен қатар қозғалу, сезу және ойлану мүмкіндіктері шектелген және/немесе жеткілікті білімі жоқ тұлғалардың пайдалануына тек оларды біреу қадағалаған жағдайда немесе осы құрылғыны қауіпсіз пайдалану нұсқауларымен таныс болса және дұрыс пайдаланбау салдарынан қандай қауіптердің орын алатынын түсінетін болса ғана пайдалануларына болады.

Балаларға осы құрылғымен ойнауға рұқсат етпеңіз.

Тазалау мен пайдаланушыға қызмет көрсетуге 15 жас немесе одан асқан балаларға ересектердің қадағалауымен рұқсат етіледі. 8 жасқа толмаған балаларды құрылғы және жалғағыш сымнан алшақ ұстаңыз.

2.4 Қауіпсіз пайдалану

⚠ ЕСКЕРТУ – Жарылу қауіпі!

Шығатын газ жарылуға алып келуі мүмкін.
**ГАЗ ИІСІ НЕМЕСЕ ГАЗ
ҚОНДЫРҒЫСЫНДАҒЫ АҚАУЛАР
КЕЗІНДЕГІ ІС-ӘРЕКЕТ**

- ▶ Дереву газ ағынын немесе газ баллонының клапанын жабыңыз.
- ▶ Дереву ашық алау мен сигареталарды өшіріңіз.
- ▶ Шам мен аспаптың ауыстырып-қосқышын баспаңыз.
- ▶ Ашаны розеткадан суырмаңыз.
- ▶ Үй ішінде телефон немесе ұялы телефондарды пайдаланбаңыз.
- ▶ Терезені ашып бөлмеге ауа кірітіңіз.
- ▶ Клиенттер қызметіне немесе газбен жабдықтау ұйымына қоңырау шалыңыз.

Шығатын газ жарылуға алып келуі мүмкін. Газдың аздаған мөлшері ұзақ уақыт бойы жиналып тұтануы мүмкін.

- ▶ Егер құрылғы ұзақ уақыт бойы пайдаланылмаса, газ ағынының қауіпсіздік клапанын жабыңыз.

Шығатын газ жарылуға алып келуі мүмкін. Егер сұйық газ баллоны тік тұрмаса, сұйық пропан/бутан құрылғыға кіруі мүмкін. Онда жанарғыларда қатты алаулар шығуы мүмкін. Құрамдас бөлшектер зақымдалуы және уақытпен бітеулі болмауы мүмкін, онда газ бақылауысыз шығуы мүмкін.

- ▶ Сұйық газ баллондарын әрдайым тік күйде пайдаланыңыз.

⚠ ЕСКЕРТУ – Тұншығып қалу қатері!

Газдық пісіру құрылғысын пайдалану жылу, ылғалдық және жану өнімдерінің орнатқан бөлмеде пайда болуына алып келеді.

- ▶ Ас үйде жеткілікті желдетуді қамтамасыз етіңіз, әсіресе газ плитасын қолданған кезде.
- ▶ Құрылғыны қарқынды және ұзақ уақыт пайдалану кезінде жану өнімдерін сыртқа қауіпсіз түрде шығару үшін қосымша желдетуді қамтамасыз етіңіз, мысалы В қолданыстағы құрылғының механикалық желдеткішін жоғары қуат деңгейіне орнатып, сонымен бірге қондырма бөлмесінде ауаның таза ауамен алмасуын қамтамасыз етіңіз.
- ▶ Қосымша желдету жүйесін орнату үшін білікті маманға хабарласыңыз.

⚠ ЕСКЕРТУ – Өрт шығу қатері!

Май немесе сұйық май қосып панельдерде бақылаусыз пісіру қауіпті және өртке әкелуі мүмкін.

- ▶ Ыстық майларды ешқашан бақылаусыз қалдырмаңыз.
 - ▶ Өртті сумен сөндіруге тырыспаңыз, құрылғыны сөндіріп, содан кейін, мысалы қақпақпен немесе жалын жамылғымен жабу арқылы жалынды сөндіріңіз.
- Құрылғы ыстық болуы мүмкін.
- ▶ Пісіру панеліне немесе жанына тез тұтанатын заттарды қоймаңыз.
 - ▶ Пісіру панеліне заттарды қоймаңыз.

Пісіру аймағы сәтсіз оқиғаларға алып келуі мүмкін, мысалы, қызып кету, оталу немесе материал жарылуы себебінен.

- ▶ Пісіру аймағының қаптамасын пайдаланбаңыз.

Іске қосылған газ конфоркасы, егер оның үстінде ыдыс орналасқан болса, көп жылу шығарады. Оның үстіндегі сорғыш зақымдануы немесе тұтануы мүмкін.

- ▶ Газ конфоркасын тек қана орнатылған ыдыстар жағдайда іске қосыңыз.

Құрылғы тым қатты қызып кеткенде, текстиль бұйымдары мен өзге де заттар тұтанып кетуі мүмкін.

- ▶ Текстиль бұйымдарды мысалы, жаулықтарды, перделерді жалыннан алысырақ ұстаңыз.
- ▶ Ешқашан жалынға қолыңызды тигізбеңіз.
- ▶ Құрылғының үстіне, жанына немесе артына оңай тұтанатын заттарды мысалы, ас үй сүлгілерін немесе журналдарды қоймаңыз.

Шығып жатқан газ тұтануы мүмкін.

- ▶ Егер жанарғы 15 секундтан кейін жанбаса, реттегішті нөл күйіне бұрап, есікті немесе бөлменің терезесін ашыңыз. Жанарғыны қайта тұтатпас бұрын кем дегенде бір минуттай күтіңіз.
- ▶ Егер пісіру барысында от өздігінен өшіп қалса, реттегішті нөл күйіне бұраңыз. Жанарғыны қайта тұтатпас бұрын кем дегенде бір минуттай күтіңіз.

Тамақ өртеніп кетуі мүмкін.

- ▶ Пісіру процесін бақылау қажет. Пісіру процесі қысқа мерзімді болса, үнемі бақылау қажет.

⚠ ЕСКЕРТУ – Күйіп қалу қатері!

Пайдалану кезінде бөлшектер қызуы мүмкін.

- ▶ Кішкентай балаларды құрылғыдан алыс ұстаңыз.

Пісіру панелінің қорғаныс торлары апатқа себеп болуы мүмкін.

- ▶ Пісіру панелі үшін қорғаныс торларды пайдаланбаңыз.

Бос пісіру ыдыстары істеп тұрған газ конфоркасында қызып кетеді.

- ▶ Бос пісіру ыдыстарын ешқашан қыздырмаңыз.

Құрылғы жұмыс істегенде қызып кетеді.

- ▶ Құрылғыны тазаламас бұрын суытыңыз.

⚠ ЕСКЕРТУ – Электрик тоқ соғу қатері бар!

Дұрыс жасалмаған жөндеулер қауіпті болып табылады.

- ▶ Құрылғыдағы жөндеу жұмыстарын тек білікті мамандар орындай алады.
- ▶ Құрылғыны жөндеу үшін тек түпнұсқа бөлшектері ғана пайдаланылуы мүмкін.
- ▶ Осы бұйымның желі кабелі бұзылып зақымданған күйде болса, қауіптердің пайда болуын болдырмау үшін, оның шығарушы немесе техникалық қызмет көрсету орталығының маманы арқылы, немесе осыларға ұқсас арнайы білімі бар адам тарабынан ауыстырылуы қажет.

Зақымдалған құрылғы немесе зақымдалған желіге қосу сымы қауіпті болады.

- ▶ Тек қана зақымдалған құрылғыны пайдаланыңыз.
- ▶ Құрылғыны электр желісінен ажырату үшін желілік кабельден тартуға тыйым салынады. Желіге қосу кабелді ашасынан тартыңыз.
- ▶ Құрылғы немесе желілік кабель зақымданған жағдайда, желі кабелінің ашасын розеткадан дереу шығарып алыңыз немесе сақтандырғыш блогындағы сақтандырғышты ажыратып, газ беруді жабыңыз.
- ▶ Қолдау көрсету қызметіне хабарласыңыз.
→ *Бет22*

Ішке кірген ылғал ток соғуға әкелуі мүмкін.

- ▶ Құрылғыны тазалау үшін булап тазартқыш немесе жоғары басымдылықты булап тазартқышты пайдаланбаңыз.

Ыстық құрылғы бөлшектерінде кабель оқшаулауы электр құрылғыларда еруі мүмкін.

- ▶ Ешқашан электр құрылғылардың тоқ кабелін ыстық құрылғы бөлшектеріне тигізбеңіз.

⚠ ЕСКЕРТУ – Жарақаттану қатері!

Құрылғыда ақаулықтар мен зақымдар, сондай-ақ дұрыс емес жөндеу қауіпті болып табылады.

- ▶ Ешқашан бұзылған құрылғыны қоспаңыз.
- ▶ Егер құрылғыда ақау болса, желілік айырды шығарыңыз немесе сақтандырғыш шкафындағы сақтандырғышты өшіріп, газ ағынын жабыңыз және қызмет көрсету орталығына хабарласыңыз.
- ▶ Тек қана білікті мамандардың құрылғыны жөндеуіне және зақымдалған газ түтігін ауыстыруына рұқсат беріледі.

Дұрыс емес ыдыс мөлшері, зақымдалған немесе дұрыс орналастырылмаған ыдыс ауыр жарақаттарға әкелуі мүмкін.

- ▶ Пісіру ыдыстары үшін нұсқауларды ескеріңіз.

Жанарғыларды қосу кезінде қосу шамдарында ұшқындар пайда болады.

- ▶ Жанарғы жағу кезінде ешқашан қолыңызды оталдыру білтесіне тигізбеңіз.

Егер реттегіш бұралмаса немесе бос тұрса, оны әрі қарай пайдалануға болмайды.

- ▶ Реттегішті жөндету немесе алмастыру үшін, дереу қызмет көрсету орталығына хабарласыңыз.

⚠ ЕСКЕРТУ – Тұншығып қалу қатері!

Балалар орама материалын бастарына киіп немесе оралып тұншығып қалуы мүмкін.

- ▶ Орама материалды балалардан алыс ұстаңыз.
- ▶ Балаларға орам материалдарымен ойнауға рұқсат етпеңіз.

Балалар кіші бөлшектерді деммен жұтып немесе жұтып тұншығып қалуы мүмкін.

- ▶ Кіші бөлшектерді балалардан алыс ұстаңыз.
- ▶ Балаларға кіші бөлшектерді ойнауға рұқсат етпеңіз.

3 Материалдық зияндардың алдын алу

НАЗАР АУДАРЫҢЫЗ!

Шектен тыс жылу жиналудан құрылғы зақымдалуы мүмкін.

- ▶ Тот баспайтын болаттан жасалған пісіру панелін алюминий фольгамен немесе қорғаныш таспамен жаппаңыз.
- ▶ Тек ұсынылған жабдықтарды пайдаланыңыз.

Жоғары температураның әсерінен жақын орналасқан құрылғылар мен жиһаздар зақымдалуы мүмкін. Құрылғыны ұзақ уақыт пайдаланғанда жылу түзіліп, ылғалдық артады.

- ▶ Терезені ашыңыз немесе бөлмеден сыртқа ауа шығаратын жүйені қосыңыз.

Шектен тыс жылу жиналудан құрылғы зақымдалуы мүмкін.

- ▶ Бір ыдысты жылыту үшін екі жанарғыны немесе бірнеше жылу көздерін пайдаланбаңыз.

- ▶ Гриль табаларын, саздан жасалған құмыраларды және т.б. максималды қуатта ұзақ уақыт пайдаланудан аулақ болыңыз.
- Реттегіштердің дұрыс орналаспауынан функционалдық ақаулар орын алуы мүмкін.
- ▶ Құрылғы пайдаланылмай тұрғанда реттегіштер әрдайым нөл күйіне келтіріліп тұруы керек.

- Лимон шырыны немесе сірке суы сияқты қышқыл сұйықтықтар құрылғының бетін зақымдауы мүмкін.
- ▶ Қышқыл сұйықтықтарды пісіру панелінде қалдырмаңыз.

4 Зақымдар себептері

Конфоркаларды зақымдау себептері

4.1 Зақымдар себептері

ЕСКЕРТУ – Электрик тоқ соғу қатері бар!

Дұрыс жасалмаған жөндеулер қауіпті болып табылады.

- ▶ Құрылғыдағы жөндеу жұмыстарын тек білікті мамандар орындай алады.
 - ▶ Құрылғыны жөндеу үшін тек түпнұсқа бөлшектері ғана пайдаланылуы мүмкін.
 - ▶ Осы бұйымның желі кабелі бұзылып зақымданған күйде болса, қауіптердің пайда болуын болдырмау үшін, оның шығарушы немесе техникалық қызмет көрсету орталығының маманы арқылы, немесе осыларға ұқсас арнайы білімі бар адам тарабынан ауыстырылуы қажет.
1. Конфоркаларды оның үстінде ыдыс орнатылған кезде ғана қосыңыз. Бос кәстрөлді немесе табаны қыздырмаңыз. Осы жолмен түбіне зақым келтіруі мүмкін.
 2. Түбі тегіс кәстрөлді және табаларды пайдаланыңыз.
 3. Кәстрөлдерді немесе табаларды конфорканың ортасына орнатып қойыңыз. Осылайша жалыннан шыққан жылу кәстрөлдің немесе табаның түбін оңтайлы қыздырады. Кәстрөлдердің сабы немесе тұтқалары зақымдалмайды және энергияны үнемдеудің жоғары деңгейіне қол жеткізіледі.
 4. Газ жанарғысы таза мен құрғақ болуына көз жеткізіңіз. Жанарғының денесі мен қақпасы дәл өз орындарында орнатылған болуы керек.

5. Егер сіз құрылғыны газ баллонымен қолдансаңыз, газ баллонын тігінен қойыңыз. Егер газ баллондары көлденеңінен орнатылса, құрылғының ішкі бөліктері зақымдануы мүмкін және газдың ағуы мүмкіндігі бар.
6. Қыздырылған ыдыстарды индикаторлық панеліне немесе жақтауға қоймаңыз.
7. Тұз, қант пен құмның бөлшектері әйнекті тырнауы мүмкін. Конфоркаларды жұмыс беті, жұмыс үстелі немесе сақтау орны ретінде пайдаланбаңыз.
8. Конфоркаға қатты немесе үшкір заттарды түсіру оны зақымдауы мүмкін. Пісіру панелін ештеңе сақтайтын орын ретінде пайдаланбаңыз.
9. Қант немесе құрамында қант мөлшері көп тағамдар конфоркаларды зақымдауы мүмкін. Шашыраған сұйықтықтарды дереу шыны қырғышымен жойыңыз. Сақ болыңыз, қырғыш өткір.
10. Құрылғының қоршауы құрғақ және таза болуы тиіс. Әр тазалаудан кейін құрылғының және оның айналасының құрғақ әрі таза болып тұрғанына көз жеткізіңіз. Құрылғының барлық беттерінде тазартқыш материалдар мен құралдар, су қалдықтары жоқ екеніне көз жеткізіңіз.
11. Пісіру панелінің астында немесе оттықтың негізінде орналасқан газшығарғыш түтіктердің компоненттеріне еніп кететін сілтілі агенттер немесе құрамы ұқсас химиялық заттар оның бұзылуына әкелуі мүмкін. Оттықтың түбінен тамақ немесе сұйық қалдықтарды алып тастаған кезде сілтілі немесе ұқсас химиялық заттарды қолданбаңыз.

5 Қоршаған ортаны қорғау және сақтау

Құрылғыңызды ресурстарды сақтап пайдаланып қайта пайдаланатын материалдарды дұрыс кәдеге жаратып қоршаған ортаны сақтаңыз.

5.1 Буып-түйетін нәрселерді кәдеге жарату

Орауыш материалдары қоршаған ортаға зиян тигізбейді және оларды қайта өңдеуге болады.

- ▶ Бөлек компоненттерді ажыратып, сұрыптары бойынша кәдеге жаратыңыз. Ағымдағы кәдеге жарату жолдары туралы мәліметтерді мамандандырылған дүкеннен және қоғамдық немесе қалалық әкімшіліктен біліп алыңыз.

5.2 Энергия үнемдеу

Егер Сіз осы нұсқауларды орындасаңыз, құрылғы электр қуатын үнемдейді.

Кәстрөл өлшеміне сәйкес жанарғыны таңдаңыз. Ыдысты ортаға қойыңыз.

Түбінің диаметрі ас үй плитасының диаметрімен сәйкес келетін ыдысты таңдаңыз.

Кеңес: Ыдыс-аяқ өндірушілер көбінесе кәстрөлдің жоғарғы диаметрін көрсетеді. Ол көбінесе төменгі диаметрінен үлкен.

- Сәйкес келмейтін ыдыс немесе толық жабық емес аймақтар көп энергия тұтынады.

Кәстрөлді сәйкес қақпақпен жабыңыз.

- Егер қақпақсыз дайындалса, онда құрылғыға көбірек энергия қажет болады.

kk Сіздің жаңа құрылғыңыз.

Қақпақты мүмкіндігінше сирек көтеріңіз.

- Қақпақты көтерген кезде, көп жылу кетеді.

Шыны қақпақты пайдаланыңыз

- Кәстрөл қақпағын көтермей-ақ шыны қақпақтан көре аласыз.

Тағам мөлшеріне сәйкес ыдысты қолданыңыз.

- Ішінде аз мөлшерде тамағы бар ыдыс қыздыру үшін көп қуатты қажет етеді.

Аз мөлшердегі сумен пісіріңіз.

- Ыдыста неғұрлым су көп болса, қыздыру үшін көбірек қуат қажет.

Төменгі пісіру деңгейіне ертерек ауысыңыз. Тағам дайындаудың қолайлы деңгейін пайдаланыңыз.

- Тым көп қайнатқанда, көп қуат жұмсайсыз

6 Сіздің жаңа құрылғыңыз.

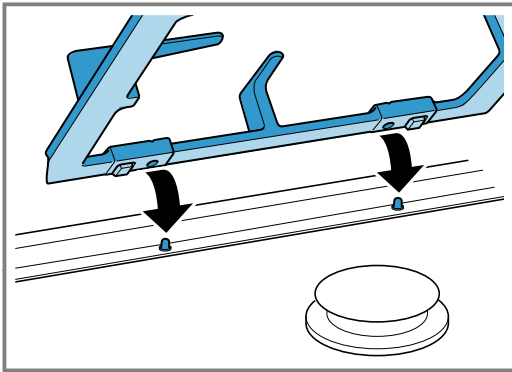
Бұл тарауда сіздің жаңа құрылғыңыз туралы ақпарат бар.

6.1 Газ жанарғысының түймесі

- ▶ Түймелерде қандай жанарғының қай түйме арқылы басқарылатынын көрсететін индикаторлар бар. Сәйкес түймені пайдаланыңыз.

6.2 Гриль режимін орнату

- ▶ Құрылғы жұмысын жалғастыра алу үшін, Гриль режимі дұрыс орнатылғанына көз жеткізіңіз. Құрылғының түріне сәйкес орнатыңыз



6.3 Газ конфоркалардың ауыстырып-қосқышы

Конфоркалар ауыстырып-қосқышы арқылы конфорка қуатының деңгейін орнатыңыз .

күй	Функция	Сипаттама
○	Нөл күйі	Пісіру панелі өшірулі.
⊗	Реттеу аймағы	Үлкен алау = ең жоғары қуат Кіші алау = минималды қуат

Реттеу аймағының ақырында тірек. Температура реттегішін ары қарай аударуға болмайды.

6.4 Эспрессоға арналған кофе шәйнегінің астына қоятын қондырғы

Түбі диаметрі 12 см-ден аспайтын кәстрөлдер мен жеткізілім жиынтығымен бірге берілген үнемді жанарғы қондырмасы бар түрік кофесін қайнату үшін кофе шәйнегін пайдаланыңыз.

1. Кофе қондырмасы үнемді жанарғының торына қойыңыз.
2. Түбінің диаметрі 12 см-ден үлкен кәстрөл үшін кофе шәйнегінің қондырмасын пайдаланбаңыз.
3. Кофе шәйнегінің қондырмасы тек тежегіш жанарғы үшін жарамды.

7 Алғашқы пайдаланудың алдында

Пісіру панелің алғашқы пайдаланудың алдында тазалау әдісі.

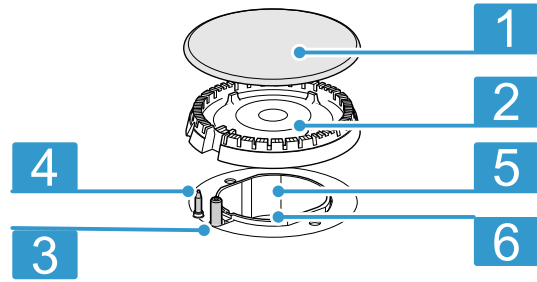
7.1 Керек-жарақтарды тазалау

- ▶ Керек-жарақтарды алғашқы пайдаланудың алдында жылы сілті ерітіндісімен және жұмсақ шүберекпен әбден тазалаңыз.

7.2 Қақпақтың және жанарғының табақшасын алдын ала тазалау.

1. Қақпағы (1) мен жанарғының табақшасын (2) су және жуатын құралмен тазалаңыз. Барлық бөлшектерді мұқият құрғатыңыз.
2. Жанарғының табақшаларын мен қақпақтарын жанарғының негізіне (5) орнатыңыз. Отық (3) пен ұшқын басатын штифт (4) зақымдалмауына көз жеткізіңіз.

- Шүмегін (6) таза және құрғақ күйде ұстаңыз. Оттықтың қақпағы оттықтың табақшының дәл ортасында тұрғанына көз жеткізіңіз.

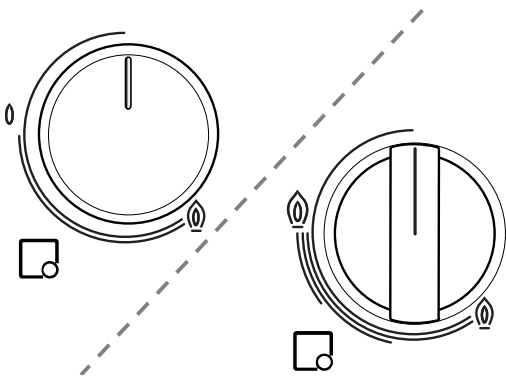


8. Әзірлеу бетін орнату

Әзірлеу бетіңіз төрт газ жанарғысымен жабдықталған. Мұнда газ жанарғысын жандыру және жалынның биіктігін орнату жолы туралы оқи аласыз.

8.1 Газ жанарғысын жандыру

Жанарғы қақпағы әрдайым жанарғы табағында дәл жатуын қамтамасыз етіңіз. Жанарғы табағындағы кесіктер тығыздалған болмауы керек. Барлық бөліктер құрғақ болып қажет.



- Таңдалған жанарғының конфорка өшіргішін басып сол жақта ең жоғары қуат басқышына бұраңыз. Егер конфорка өшіргіші басылған болса оталу әдісі басталады.
- Конфоркалар ауыстырып-қосқышын 3-5 секунд басып тұрыңыз. Газ ағуды бастап газ жанарғысы оталады. От алу қорғаушы белсендіріледі. Газ алауы өшсе от алу қорғаушы арқылы газ жеткізілуі тоқтатылады.
- Керекті алау биіктігін реттеңіз. Өшік күйі мен ең жоғарғы қуат басқышы арасында алау баянды болмайды. Осы себептен әрдайым ең жоғары мен ең төмен қуат басқышы арасындағы параметрді таңдау керек.
- Егер алау өшсе, әдісті 1-басқыштан бастап қайталаңыз.

- Пісіру әдісін аяқтау үшін конфорка ауыстырып-қосқышын оңға Өшік күйіне бұраңыз.

Конфорка ауыстырып-қосқышын 15 секундтан ұзақ оталу күйінде басып ұстау мүмкін емес. Егер жанарғы 15 секундтан соң оталмаса, кемінде бір минут күтіңіз. Сосын от алу әдісін қайталаңыз.

8.2 Назар аударыңыз!

Егер өшіргеннен соң әлі ыстық газдық пісіру панелінде конфоркалар ауыстырып-қосқышын бұрасаңыз, газ шығады. Егер конфорка өшіргіші басылмаса газ оталмай газ кірісі 90 секунд ішінде тоқтатылады.

От алдыру істемей жатыр

Тоқ үзіліс немесе ылғал от алу білтесі жағдайында газ шілдерін газдық шақпақпен немесе сіріңкемен жағыңыз.

8.3 Ескертулер

Жанарғы істеуі кезінде жай дыбыс қалыпты болып табылады.

Бірінші пайдалануда иіс шыққаны қалыпты. Бұл қауіпсіз болмай ақау болмайды. Иістер уақытпен жоғалады.

Сарғылт алау қалыпты болып табылады. Ол ауадағы шаң және тасып кеткен сұйықтықтар себебінен пайда болады.

Егер жанарғы алауы кездейсоқ өшсе жанарғының басқару жұдырықшасын Өшікке қойып жанарғы кемінде бір минут жандырмаңыз.

Жанарғы өшкеннен бірнеше секунд соң қатаң дыбыс естіледі. Бұл қалыпты жағдай болып қауіпсіздік жүйесі өшкенін білдіреді.

Құрылғыны таза ұстаңыз. Ластанған от алу білтесі дұрыс от алмайды. Жүйелі түрде кіші метал емес қылшақпен тазалаңыз. От алу білтесінде ешқандай қатты соққыларды жасау мүмкін емес.

9 Кесте - Пісіру

Пісіру уақыттары тамақ түріне, салмағына және сапасына байланысты. Сондықтан көрсетілген мәндерден сәл ауытқу болуы мүмкін. Оңтайлы дайындау уақытын өзіңіз бағалай аласыз. Әрбір конфорка үшін сәйкес көлемдік кәстрөлді таңдаңыз. Таба немесе кәстрөл түбінің диаметрі конфорка өлшеміне сай болуы керек.

Жазба: Өнім құрамындағы дәрумендер мен минералды заттар жылдам кеміп қалады сөйтіп өнім құрамындағы дәрумендер мен минералды заттардың сақталуын қамтамасыз ету үшін, ас әзірлеу барысында тым көп су қолданбаңыз. Көкөністің сыртқы кейпі пен құрамындағы қоректік заттар жақсы сақталу үшін, пісіру уақытын мүмкіндігінше азайтыңыз.

Мысал	Азық-түлік	Конфорка	Пісіру басқышы
Балқу	Шоколад, сарымай, маргарин	Тиімді жанарғы Электроплита**	алаусыз 1-2
Жылыту	Сорпа, консервіленген көкөністер	Стандартты жанарғы Электроплита**	алаусыз 2-3-4-5
Жылыту және жылы ұстау	Көжелер	Тиімді жанарғы Электроплита**	алаусыз 2-3

Мысал	Азық-түлік	Конфорка	Пісіру басқышы
Булау*	Балық	Стандартты жанарғы Электроплита**	үлкен және кіші алау арасында 5
Бұқтыру*	Картоп және басқа көкөністер, ет	Стандартты жанарғы Электроплита**	үлкен және кіші алау арасында 6-7-8
Қайнатып пісіру	Күріш, көкөністер, ет тамақтары (тұздықталған)	Стандартты жанарғы Электроплита**	үлкен алау 7-8
Құыру	Құймақ, картоп, шницель, балық таяқшалары	Үлкен газ жанарғысы ** Вок жанарғысы** Электроплита**	үлкен және кіші алау арасында үлкен және кіші алау арасында 9

Жазбалар

- * Егер қақпақты кәстрөлді пайдалансаңыз, тағам қайнағанда бірден жалынды азайтыңыз.

- ** Опциялық. Кейбір құрылғыларда қолжетімді. Құрылғы түріне байланысты. (Wok газ жанарғысында құыру үшін біз арнайы табаны пайдалануға ұсыныс береміз)

10 Пісіру ыдысы

Төмендегі нұсқаулар сізге электр энергиясын үнемдеп, ыдысты зақымнан қорғауға көмектеседі.

10.1 Пісіру ыдысын пайдалану

Пісіру ыдысын қалай таңдап орнатқаныңызға қарай, құрылғыңыздың қауіпсіздігі мен энергиялық тиімділігі анықталады.

⚠ ЕСКЕРТУ – Өрт шығу қатері!

Тез тұтанатын бөлшектер жанып кетуі мүмкін.

- ▶ Ыдыс пен асүй жабдығының тез тұтанатын бөлшектерінің арасындағы қашықтық 50 мм-ден кем болмауы тиіс.

⚠ ЕСКЕРТУ – Жарақаттану қатері!

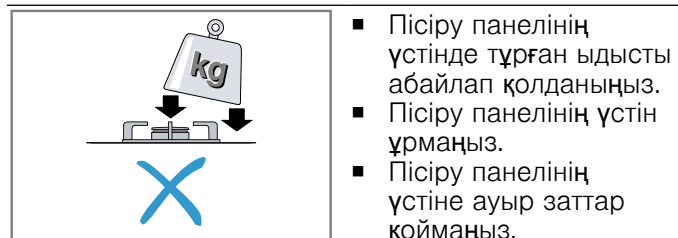
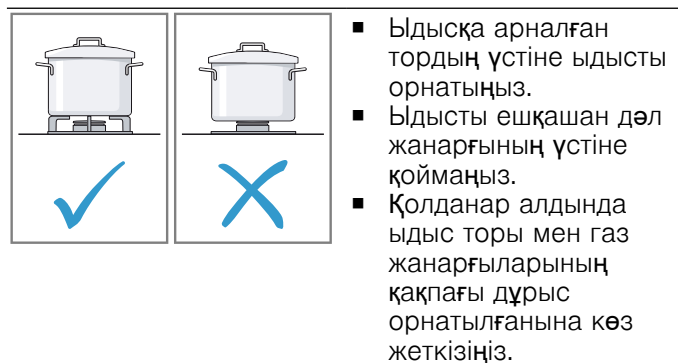
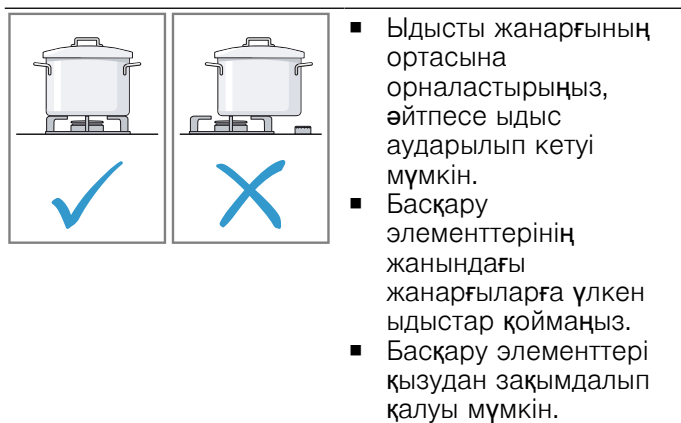
Дұрыс орнатылмаған Wok табасы адамды жарақаттауы мүмкін. Wok табасының тұрақты тұратындығына кепілдік берілмейтіндіктен, оның аударылып кетуі мүмкін.

- ▶ Wok индикаторлық шеңбері мен Wok табасын тек Wok жанарғысында ғана пайдаланыңыз. Wok шеңбері мен Wok табасын ешқашан стандартты газ жанарғысына немесе қуаты жоғары газ жанарғысына орнатпаңыз.

- Ыдыс көлемінің жанарғыға сай келетініне көз жеткізіңіз.
- Өлшемі шағын ыдыстарды ешқашан үлкен жанарғыға қоймаңыз.
- Жалынның ыдыстың шетіне тимейтіндігіне көз жеткізіңіз.

- Пішіні өзгерген ыдыстарды қолданбаңыз.
- Пішіні өзгерген ыдыс пісіру панелінің үстінде теңселіп тұратындықтан, аударылып кетуі мүмкін.
- Түбі жазық әрі қалың ыдыстарды қолданыңыз.

- Қақпағын жаппай, тамақ пісірмеңіз.
- Қақпақтың қозғалып кетпегеніне көз жеткізіңіз.
- Тамақты қақпағын жаппай өзірлегенде, энергияның көп бөлігі бекер жұмсалады.



11 Тазалау және күту

Мұқият ұстау мен тазалау жағдайында құрылғыңыз ұзақ уақыт істейтін болады

Қауіпсіздік мақсатында газ қысымын реттегіште газ беруді тоқтатыңыз. (Егер оттық табиғи газды қолданса, табиғи газ беретін кранды өшіріңіз).

Құрылғыны тоқ желісінен ажыратыңыз.

Мүмкін, сізге конфорка суығанша күте тұру керек болады.

Түрлі беттер тиісті емес тазалау құралымен зақымданбауы үшін төмендегі деректерге назар аударыңыз.

- Құрылғыны қысыммен немесе ыстық бұмен тазаламаңыз.
 - Қышқыл, сұйылтқыш, бензин немесе бензол сияқты жанғыш заттарды пайдаланбаңыз.
 - Абразивті тазартқыштар мен тазалағыш материалдарды пайдаланбаңыз.
- Конфорканы тазалағанда**
- ешқандай сұйылтылмаған жуу құралы немесе ыдыс жуатын машина жуу құралы,
 - қатты алкогольдік тазалау құралы,
 - қатты губкамен тазалау губкаларын,
 - ешқандай пеш тазартқышы немесе дақ тазартқышы сияқты агрессивті тазалау құралдары,
 - және агрессивті немесе абразивті тазалағыш заттарды қолданбаңыз.
 - Жеке бөліктерді ыдыс жуғыш машинада жууға болмайды.
 - Жаңа ыдыс жуғыш жөкелерді пайдаланар алдында әбден жуып алыңыз.

11.1 Тазалау

Келесі тазалау нұсқаулықтарды ескертіңіз.

Аймақ	Тазалау нұсқаулығы
Тот баспайтын болаттан жасалған беттер	Тот баспайтын болат тазартқышын жұмсақ шүберекпен тазалаңыз. Әрдайым табиғи текстураға параллель бағытта сүртіңіз. Әйтпесе сызат пайда болуы мүмкін. Жұмсақ шүберекпен құрғатыңыз. Қақ, май, крахмал мен жұмыртқа қалдықтарын дереу тазалаңыз. Тазалау үшін агрессивті тазалағыш заттарды, абразивті губкаларды немесе қатты маталарды пайдаланбаңыз. Тот баспайтын болаттан жасалған қасбеттерді жылтырату үшін арнайы тазартқыш затты пайдаланыңыз. Өндіруші нұсқаулықты пайдаланыңыз. Арнайы керек-жарақтарды тұтынушыларға қызмет көрсету орталығынан немесе арнайы сатушыдан алуға болады.
Эмальмен қапталған, лакталған және жібекбас палы баспада	Аз тазалау құралымен және жылы сумен тазалаңыз. Жұмсақ шүберекпен құрғатыңыз.

Аймақ	Тазалау нұсқаулығы
Газ жанарғылар және болат торлар	Ыдыс жуғыш машинада тазаламаңыз. Болат торларды шешіп және аз тазалау құралымен және ылғалды шүберекпен тазалаңыз. Жанарғы корпусын және қақпағын алыңыз. Аз тазалау құралымен және ылғалды шүберекпен тазалаңыз. Жанарғының корпусындағы газ шығатын саңылаулардың таза екендігіне және еш кедергісіз екеніне көз жеткізіңіз. Оттықтарды кіші, жұмсақ қылшақпен тазалаңыз. Газ жанарғысы тек оттық таза болғанда жұмыс істейді. Жанарғының корпусындағы тамақ қалдықтарын шүберекпен және сәл жылы сабынды сумен алыңыз. Судың аз мөлшерін пайдаланыңыз. Су құрылғы ішіне кіруі мүмкін емес. Бүріккіш тесігі тазалау кезінде бітелмеуіне немесе зақымдалмауына көз жеткізіңіз. Барлық бөліктерді тазалаудан соң кептіріп жанарғы қақпағын жанарғы корпусына дұрыс салыңыз. Дұрыс орнатылмаған бөлшектер жанарғы от алуына кедергі жасайды Болат торларды орнатыңыз. Біз болаттық торларды тазалау үшін ұсынған тазалау құралы клиенттерге қызмет көрсету орталығынан немесе арнайы дүкеннен сатып алу мүмкін.
Электр конфорка (құрылғы түріне байланысты)	Ысқылау губкасының қатты жағымен және аз сұйық ысқылау құралымен тазаланыз. Тазалаудан соң конфорканы кептіру үшін қысқа қосыңыз. Ылғалды конфоркалар уақытпен тотталады. Соңында күту құралын жағыңыз. Төгілген сұйықтық пен тамақ қалдықтарын тез арада тазалаңыз.
Электр конфорка аның метал шеңбер (құрылғы түріне байланысты)	Әйтпесе есік әйнегінде ұзақ уақты қалатын дақтар пайда болуы мүмкін. Осылай рең өзгерістерін жою мүмкін. Шеңберді ысқылау губкасының қатты жағымен және аз сұйық ысқылау құралымен тазалаңыз. Осында және шектес беттер ысқаланбауына көз жеткізіңіз. Құрылғының беті зақымдалуы мүмкін. Метал шеңбер тазалау құралды клиенттерге қызмет көрсету орталығынан немесе арнайы дүкеннен сатып алу мүмкін.
Бұрама түймешелер	Аз тазалау құралымен және жылы сумен тазалаңыз. Жұмсақ шүберекпен құрғатыңыз.

Аймақ	Тазалау нұсқаулығы
Жабдықтар ар	Жылы сілті ерітіндісімен жұмсатыңыз. Металл емес щеткамен немесе губкамен тазалаңыз.
Жоғарғы шыны қақпасы (құрылғы түріне байланысты)	Шыны тазартқышы: жұмсақ шүберекпен тазалаңыз. Жоғарғы шыны қаптаман тазалау үшін алып қою мүмкін. «Жоғарғы шыны қақпасы» тарауынды қара.

Егер болат торлар резеңке төсеммен жабдықталған болса, тазалау кезінде абай болыңыз. Қаптамалар кетіп, болат торлар пісіру панелінің бетің сызып тастауы мүмкін. Болат торларды тазалап, кептіргеннен кейін, олардың конфоркаларда дұрыс тұрғанына көз жеткізіңіз.

11.2 Күтім

Құрылғының өнімділігін сақтау үшін келесі күтім нұсқауларын орындаңыз.

- Төгілген сұйықтықты тез арада тазалаңыз. Бұл тамақ қалдықтарының жабысып қалуына жол бермейді және кейінірек тазалауды жеңілдетеді.
- Әр қолданғаннан кейін салқындатылған жанарғының беттерін тазалаңыз. Қайнатылған тамақтың немесе май шашырауының беткі дақтары тазалауды қиындататын қабат құрайды. Жалынның дұрыс жануы үшін саңылаулар мен өтпелер таза болуы керек.
- Кейбір ыдыстар айнала қозғалғанда болат сым тіреуінде металл із қалдыруы мүмкін.
- Жанарғылар мен болат торларды сабынды жылы сумен сүртіңіз және металл емес щеткамен тазалаңыз.
- Жеке бөліктерді ыдыс жуғыш машинада жууға болмайды.
- Жанарғылар мен болат торларды таза күйде сақтаңыз. Пісіру процесінің басында пісіру панелінің су тамшылары немесе ылғалды жерлер эмальды зақымдауы мүмкін.
- Ажыратқыштардың айналасында тот баспайтын болаттан тазартқыштарды пайдаланбаңыз. Жібекбаспа белгілері бұлыңғыр болуы мүмкін.
- Төгілген май немесе лимон шырыны сияқты қышқыл өнімдердің дақтарын мұқият тазалаңыз.
- Басқару панелін тазалағанда абразивті тазалағыш заттарды қолданбаңыз Әйтпесе, жапсырманы сүртіп алып тастау болады.
- Жанарғы қақпағы қара түсте эмальдалған. Жоғары температура әсерінен түрлі-түсті дақтарды тудыруы мүмкін. Бұл конфорканың жұмысына әсер етпейді.
- Беттерді тырнап алмау үшін кәстрөлдерді бетінің үстімен жылжытпаңыз. Шыны панельге ауыр немесе қатты заттарды түсірмеңіз. Панельді табаның бөліктерімен ұрмаңыз.
- Жемістер мен көкөністерді жуғаннан кейінгі құм түйіршіктері әйнектің бетін тырнауы мүмкін.
- Ерітілген қантты немесе қант мөлшері жоғары тағамды жанарғынан шыны қырғышпен алыңыз.
- Тұздың электр конфоркасымен жанасуына жол бермеңіз.

12 Ақауларды жою

Құрылғыдағы елеусіз ақаулықтарды өз бетіңізбен жоюға болады. Қызмет көрсету орталығына хабарласпас бұрын ақаулықты жою бойынша ақпаратты қарап шығыңыз. Осылайша қажетсіз шығындардың алдын аласыз.

⚠ ЕСКЕРТУ – Жарақаттану қатері!

Тиісті болмаған жөндеулер қауіпті болып табылады.

- ▶ Тек қана білікті мамандар құрылғыны жөндеуі мүмкін.
- ▶ Егер құрылғыда ақау бар болса, қызмет көрсету орталығына хабарласыңыз.

⚠ ЕСКЕРТУ – Электрик тоқ соғу қатері бар!

Дұрыс жасалмаған жөндеулер қауіпті болып табылады.

- ▶ Құрылғыдағы жөндеу жұмыстарын тек білікті мамандар орындай алады.

- ▶ Құрылғыны жөндеу үшін тек түпнұсқа бөлшектері ғана пайдаланылуы мүмкін.
- ▶ Осы бұйымның желі кабелі бұзылып зақымданған күйде болса, қауіптердің пайда болуын болдырмау үшін, оның шығарушы немесе техникалық қызмет көрсету орталығының маманы арқылы, немесе осыларға ұқсас арнайы білімі бар адам тарабынан ауыстырылуы қажет.

12.1 Функциялық ақаулықтар

Ақаулық	Ақаулардың себебі және оларды жою
Жалпы электр жұмысының ақауы.	Сақтандырғыш зақымдалған. ▶ Сақтандырғыш шкафында сақтандырғыш жұмыс істегенін тексеріңіз. Автоматты сақтандырғыш немесе авариялық тоқтан сақтандыру қосқышы іске қосылды. ▶ Қорғаныс автоматика немесе сақтандырғыш қорабындағы қорғаныс сөндіргіш қондырғысы іске қосылғанына тексеріңіз.
	Желілік кабель ашасы розеткаға салынбаған. ▶ Құрылғыны тоқ желісіне қосыңыз.
	Электр қуаты өшкен. ▶ Бөлме жарықтары немесе басқа құрылғылар бөлмеде жұмыс істеуін тексеріңіз.
Автоматты от алу істемей жатыр.	Тұтату білтесі мен жанарғы арасындағы кеңістікте тамақ қалдықтары мен дақтар бар. Жанарғы бөлшектері ылғал. Жанарғы бөлшектері дұрыс орналаспаған. ▶ Жаңарғының бөлшектері дұрыс орналасқан.
	Құрылғы жерге қосылмаған, тиісті ретте қосылмаған немесе жерге қосу кабелі зақымдалған. ▶ Білікті электршісіне хабарласыңыз.
Жалын біркелкі жанып тұрған жоқ.	Жанарғы бөлшектері дұрыс орналаспаған. ▶ Жаңарғының бөлшектері дұрыс орналасқан. Жанарғының саңылаулары ластанған.
Газ ағымы қалыпты емес немесе газ шықпай жатыр.	Газ ағыны аралық клапандар арқылы жабылған. ▶ Аралық клапандарын ашыңыз. Газ баллоны бос.
Асханада газдың иісі сезіледі.	Реттегіш ашық тұр. ▶ Реттегішті жабыңыз. Газ баллоны тиісті қосылмаған. ▶ Газ баллоны тиісті қосылғанын тексеріңіз. Құрылғының газ құбырында саңылау бар. 1. Басты газ қраның жабыңыз. 2. Бөлмені желдетіңіз. 3. Орнату жөніндегі уәкілетті компанияға дереу хабарласыңыз, оның мамандары газ жүйесін тексеріп, орнату туралы куәлік береді. 4. Құрылғыны орнату орнынан немесе құрылғының өзінен газ шықпағанын тексермейінше, оны пайдаланбаңыз.
Реттегішті босатқаннан кейін жанарғы сөнеді.	Реттегіш жеткілікті деңгейде ұзақ жағылған жоқ. Жанарғының саңылаулары ластанған.

13 Сервистік қызмет көрсету

Егер пайдалану жөнінде сұрақтарыңыз болса, құрылғыдағы ақаулықты өзіңіз жоя алмасаңыз немесе құрылғыны жөндеу керек болса, қызмет көрсету орталығына хабарласыңыз.

Сіздің еліңіздегі кепілдік мерзімі мен шарттары жөніндегі толық ақпаратты қызмет көрсету орталығынан, сауда бөлімінен немесе біздің веб-сайттан алуыңызға болады.

Қызмет көрсету орталығына хабарласқан кезде, сізге құрылғыңыздың артикул нөмірі (Е нөмірі) және өндіру нөмірі (ӨК) қажет болады.

Мүшелер қызметінің хабарласу деректерін жинақтағы мүшелер қызметінің тізімінде немесе біздің веб-торабымызда табасыз.

13.1 Артикул нөмірі (Е нөмірі) және өндіру нөмірі (ӨК)

Артикул нөмірі (Е нөмірі) және өндіру нөмірі (ӨК) құрылғының фирмалық тақтайшасында берілген. Құрылғы деректерін және мүшелер қызметінің нөмірін жылдам қайта табу үшін деректерді жазып алуға болады.

14 Кәдеге жарату

Ескі құрылғыларды дұрыс кәдеге жарату туралы мәлімет аласыз.

14.1 Ескі құрылғыны кәдеге жарату

Қоршаған орта үшін қауіпсіз жолмен кәдеге жарату құнды материалдарды қайта өңдеуге мүмкіндік береді.

1. Желіге қосу кабелінің ашасын тартыңыз.
2. Еліге қосу сымын ажыратыңыз.
3. Құрылғыны қоршаған ортаны сақтайтын жолмен кәдеге жаратыңыз.
Ағымдағы кәдеге жарату жолдары туралы мәліметтерді мамандандырылған дүкеннен және қоғамдық немесе қалалық әкімшіліктен біліп алыңыз.



Бұл тоңазытқыш Электр және электроникалық құралдардың қалдықтарына (WEEE) қатысты 2012/19/EU (EO) Еуропа заңнамасына сәйкес келетін таңбасымен белгіленген.

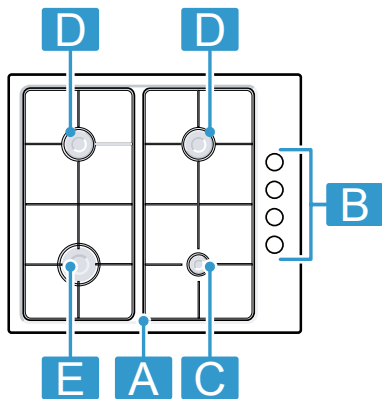
Бұл заңнама Еуропада құралдардың қалдықтарын қайтып алуын және қоршаған ортаны қорғап кәдеге жаратуын реттейді.

Содержание

1	23	7	Перед первым использованием	28
2	Безопасность	23	8	Настройка варочной панели	28
3	Предотвращение материального ущерба	26	9	Таблица - приготовление пищи	29
4	Причины повреждений	26	10	Кухонная посуда.....	29
5	Защита окружающей среды и экономия	27	11	Очистка и уход	30
6	Ваш новый прибор.....	27	12	Устранение неисправностей	32
			13	Сервисная служба	33
			14	Утилизация	33

1

PBP6C....



A	Решётка	-
B	Регулятор	-
C	Экономичная газовая горелка	1 kW
D	Стандартная газовая горелка	1,7 kW
E	Газовая горелка повышенной мощности	3 kW

2 Безопасность

Соблюдайте следующие указания по технике безопасности.

2.1 Общие указания

- Внимательно прочитайте данное руководство.
- Сохраните инструкцию и информацию о приборе для дальнейшего использования или для передачи следующему владельцу.
- В случае обнаружения повреждений, связанных с транспортировкой, не подключайте прибор.

2.2 Использование по назначению

Безопасность эксплуатации гарантируется только при квалифицированной установке с соблюдением инструкции по монтажу. За правильность установки ответственность несёт установщик. За правильность установки ответственность несёт установщик.

Используйте прибор только:

- для приготовления блюд и напитков.
- под присмотром. Необходимо постоянно контролировать кратковременный процесс приготовления пищи.
- в бытовых условиях и в закрытых помещениях домашних хозяйств.
- на высоте не более 2000 м над уровнем моря.

Не используйте прибор:

- на лодках и в автомобилях.
- в качестве обогревателя помещения.

- с внешним таймером или пультом дистанционного управления.

Для переоборудования прибора на другой вид газа вызовите сервисную службу.

2.3 Ограничение круга пользователей

Данный прибор может использоваться детьми в возрасте от 8 лет и старше, а также лицами с ограниченными физическими, сенсорными или умственными способностями или с недостатком опыта и/или знаний, если они находятся под присмотром или после получения указаний по безопасному использованию прибора и после того, как они осознали опасности, связанные с неправильным использованием.

Детям запрещено играть с прибором.

Очистку и обслуживание прибора запрещается выполнять детям; это разрешается только детям старше 15 лет под надзором взрослых.

Не допускайте детей младше 8 лет к прибору и его сетевому проводу.

2.4 Безопасная эксплуатация

⚠ ПРЕДУПРЕЖДЕНИЕ – Опасность взрыва!

Утечка газа может привести к взрыву. **ПОВЕДЕНИЕ ПРИ НАЛИЧИИ ЗАПАХА ГАЗА ИЛИ НЕИСПРАВНОСТЕЙ НА ГАЗОПРОВОДЕ**

- ▶ Сразу же перекрыть подачу газа или закрыть вентиль газового баллона.
- ▶ Сразу же потушить открытый огонь и потушить сигареты.
- ▶ Не пользоваться больше выключателями света и бытовых приборов.
- ▶ Не вынимать штепсельные вилки из розеток.

- ▶ Не пользоваться в помещении стационарным или мобильным телефоном.
- ▶ Открыть окна и хорошо проветрить помещение.
- ▶ Позвонить в сервисную или газовую службу.

Утечка газа может привести к взрыву. Небольшие объемы газа могут накапливаться и воспламеняться на протяжении длительного времени.

- ▶ Если прибор не используется в течение длительного времени, закрыть предохранительный кран на линии подачи газа.

Утечка газа может привести к взрыву. Если баллон со сжиженным газом находится не в вертикальном положении, то сжиженный пропан-бутан может попасть в прибор. При этом из горелок может вырваться сильное пламя. Некоторые части прибора могут повредиться и со временем стать негерметичными из-за неконтролируемого выхода газа.

- ▶ Баллоны со сжиженным газом всегда следует держать в вертикальном положении.

⚠ ПРЕДУПРЕЖДЕНИЕ – Опасность удушья!

Использование газовой плиты приводит к повышению температуры и влажности в помещении, а также к появлению продуктов сгорания в воздухе.

- ▶ Обеспечивайте достаточную вентиляцию кухни, особенно при эксплуатации газовой плиты.
- ▶ При интенсивном и продолжительном использовании прибора следует обеспечить дополнительную вентиляцию, чтобы продукты сгорания гарантированно выводились наружу. Например, при наличии механической вентиляционной системы установите более высокую мощность и одновременно обеспечьте поступление свежего воздуха в помещение, где установлен прибор.
- ▶ В случае монтажа дополнительной вентиляционной системы следует проконсультироваться со специалистом.

⚠ ПРЕДУПРЕЖДЕНИЕ – Опасность возгорания!

Приготовление блюд на панелях с добавлением жира или масла без присмотра может

быть опасным и привести к возникновению пожара.

- ▶ Всегда следите за горячими маслами и жирами.
- ▶ Не пытайтесь тушить огонь водой, выключите прибор, а затем затушите пламя, например накрыв крышкой или пламегасящим покрывалом.

Прибор становится очень горячим.

- ▶ Не ставьте легковоспламеняющиеся предметы на варочную панель или в непосредственной близости от неё.
- ▶ Не кладите предметы на варочную панель. Крышка варочной панели может привести к несчастным случаям, например, к перегреву прибора, возгоранию или к растрескиванию материала.
- ▶ Не использовать крышку варочной панели. Включенная газовая конфорка, если на ней не установлена посуда, производит очень много тепла. Расположенная над ней вытяжка может быть повреждена или может воспламениться.
- ▶ Включайте газовую конфорку только при установленной посуде.

При сильном нагреве прибора текстильные изделия и другие предметы могут вспыхнуть.

- ▶ Текстильные изделия, напр., одежду или шторы держать вдали от пламени.
- ▶ Ни в коем случае не касаться пламени.
- ▶ Не класть на прибор, рядом с ним или за ним легковоспламеняющиеся предметы, такие как кухонные полотенца или журналы.

Утечка газа может привести к возгоранию.

- ▶ Если по истечении 15 секунд горелка не зажглась, поверните регулятор в нулевое положение и откройте дверь или окно в помещении. Выждите не менее минуты, прежде чем зажечь горелку еще раз.
- ▶ Если пламя самопроизвольно погасло во время работы, поверните регулятор в нулевое положение. Выждите не менее минуты, прежде чем зажечь горелку еще раз.

Продукты могут воспламениться.

- ▶ Необходимо контролировать процесс приготовления. Даже если процесс приготовления является непродолжительным, требуется постоянный контроль.

⚠ ПРЕДУПРЕЖДЕНИЕ – Опасность ожога!

Детали могут нагреваться в процессе эксплуатации.

- ▶ Не подпускайте маленьких детей к прибору.

Защитные решётки варочной панели могут стать причиной несчастного случая.

- ▶ Не используйте защитные решётки для варочной панели.

Пустая посуда, установленная на включенные газовые конфорки, становится очень горячей.

- ▶ Никогда не ставьте на включенную конфорку пустую посуду.

Во время работы прибор сильно нагревается.

- ▶ Перед очисткой дайте прибору остыть.

⚠ ПРЕДУПРЕЖДЕНИЕ – Опасность поражения электрическим током!

При неквалифицированном ремонте прибор может стать источником опасности.

- ▶ Ремонтировать прибор разрешается только квалифицированным специалистам.
- ▶ Для ремонта прибора можно использовать только оригинальные запчасти.
- ▶ Во избежание опасностей замена поврежденного сетевого кабеля данного прибора может быть выполнена только производителем или авторизованной им сервисной службой либо лицом, имеющим аналогичную квалификацию.

Поврежденный прибор или поврежденный сетевой кабель являются источником опасности.

- ▶ Категорически запрещается эксплуатировать поврежденный прибор.
- ▶ Запрещается тянуть за сетевой кабель, чтобы отсоединить прибор от сети электропитания. Вынимайте из розетки вилку сетевого кабеля.
- ▶ В случае повреждения прибора или сетевого кабеля немедленно выньте вилку сетевого кабеля из розетки или отключите предохранитель в блоке предохранителей и перекройте подачу газа.
- ▶ Обратитесь в сервисную службу.

→ Страница 33

Проникшая в прибор влага может стать причиной поражения током.

- ▶ Не используйте для очистки прибора пароочистители или очистители высокого давления.

Изоляция кабеля может расплавиться в случае контакта с горячими частями прибора.

- ▶ Следить за тем, чтобы сетевой кабель не соприкасался с горячими частями электроприборов.

⚠ ПРЕДУПРЕЖДЕНИЕ – Опасность травмирования!

Неисправности или повреждения прибора, а также некомпетентный его ремонт опасны.

- ▶ Не включайте неисправный прибор.
- ▶ Если прибор неисправен, вынуть вилку сетевого провода из розетки или отключить предохранитель в блоке предохранителей, перекрыть подачу газа и вызвать специалиста сервисной службы.
- ▶ Ремонтировать прибор и заменять поврежденные газопроводы разрешается только квалифицированным специалистам.

Кухонная посуда неподходящего размера, поврежденная или неправильно установленная посуда может стать причиной тяжелых травм.

- ▶ Учитывать указания в отношении посуды.
- При включении горелки на свечах поджига образуются искры.
- ▶ Ни в коем случае не дотрагивайтесь до свечей поджига во время зажигания горелки.
- Если кнопка управления не поворачивается или держится слишком слабо, ее нельзя использовать.
- ▶ Обратитесь в сервисную службу для ремонта или замены кнопки управления.

⚠ ПРЕДУПРЕЖДЕНИЕ – Опасность удушья!

Дети могут завернуться в упаковочный материал или надеть его себе на голову и задохнуться.

- ▶ Не подпускайте детей к упаковочному материалу.
- ▶ Не позволяйте детям играть с упаковочным материалом.

Дети могут вдохнуть или проглотить мелкие детали, в результате чего задохнуться.

- ▶ Не подпускайте детей к мелким деталям.
- ▶ Не позволяйте детям играть с мелкими деталями.

3 Предотвращение материального ущерба

ВНИМАНИЕ!

Излишняя аккумуляция тепла может повредить прибор.

- ▶ Никогда не закрывайте варочную панель из нержавеющей стали, например, алюминиевой фольгой или защитной пленкой.
- ▶ Используйте только рекомендованные принадлежности.

Воздействие высокой температуры может привести к повреждениям находящихся рядом приборов и мебели. При длительной эксплуатации прибора образуется тепло и повышается влажность.

- ▶ Откройте окно или включите вытяжную систему с выходом из помещения на улицу.

Излишняя аккумуляция тепла может повредить прибор.

- ▶ Не используйте две горелки или несколько источников тепла для разогревания одного предмета посуды.
- ▶ Избегайте длительного использования сковород-гриль, глиняных горшков и т. п. на максимальной мощности.

Неправильное расположение регуляторов приводит к функциональным неисправностям.

- ▶ Если прибор не используется, регуляторы всегда должны быть повернуты в нулевое положение.
- Кислые жидкости, такие как лимонный сок или уксус, могут повредить поверхность прибора.
- ▶ Не оставляйте кислые жидкости на варочной панели.

4 Причины повреждений

Причины повреждений конфорок

4.1 Причины повреждений

⚠ ПРЕДУПРЕЖДЕНИЕ – Опасность поражения электрическим током!

При неквалифицированном ремонте прибор может стать источником опасности.

- ▶ Ремонтировать прибор разрешается только квалифицированным специалистам.
- ▶ Для ремонта прибора можно использовать только оригинальные запчасти.
- ▶ Во избежание опасностей замена поврежденного сетевого кабеля данного прибора может быть выполнена только производителем или авторизованной им сервисной службой либо лицом, имеющим аналогичную квалификацию.

1. Включайте конфорки, только когда на них установлена посуда. Не нагревайте пустые кастрюли и сковородки. Так можно повредить их дно.
2. Используйте кастрюли и сковороды только с ровным дном.
3. Ставьте кастрюли или сковороды по центру конфорки. Таким образом тепло от пламени оптимально нагреет дно кастрюли или сковороды. Рукоятка или ручки кастрюли не повредятся, а также будет достигнут высокий уровень экономии энергии.
4. Убедитесь, что детали горелки чистые и сухие. Корпус и крышка горелки должны стоять ровно на своих местах.

5. Если вы используете прибор с газовым баллоном, установите газовый баллон вертикально. При горизонтальной установке газовых баллонов, внутренние части прибора могут быть повреждены и может произойти утечка газа.
6. Не ставьте нагретую посуду на индикаторную панель или на рамку.
7. Частицы соли, сахара и песка могут поцарапать стекло. Не используйте конфорки в качестве рабочей поверхности, столешницы или места для хранения.
8. Падение твердых или острых предметов на конфорку может привести к её повреждению. Не используйте варочную панель в качестве места хранения каких-либо предметов.
9. Сахар или продукты с высоким содержанием сахара могут повредить конфорки. Сразу же удаляйте остатки пищи специальным скребком для стеклянных поверхностей. Будьте осторожны, скребок острый.
10. Окружающее прибор пространство должно быть сухим и чистым. Следите за тем, чтобы после каждой очистки прибор и окружающее его пространство оставались сухими и чистыми. Проверьте, чтобы на всех поверхностях прибора не оставались чистящие материалы и средства, а также остатки воды.
11. Щелочные средства или химические вещества с аналогичным составом, проникая в газопроводящие компоненты под варочной панелью или в основании горелки, могут привести к неисправности газопроводящих компонентов. При удалении остатков пищи или жидкости с основания горелки не используйте щелочные и прочие химикаты с аналогичным действием.

5 Защита окружающей среды и экономия

Бережно расходуя ресурсы при эксплуатации прибора и утилизируя надлежащим образом пригодные к повторному использованию материалы, вы проявляете заботу об окружающей среде.

5.1 Утилизация упаковки

Упаковочные материалы экологически безопасны и могут использоваться повторно.

- ▶ Утилизируйте отдельные части, предварительно рассортировав их. Сведения о возможных способах утилизации можно получить в специализированном торговом предприятии, а также в районных или городских органах управления.

5.2 Как сэкономить электроэнергию

При соблюдении этих указаний прибор будет расходовать меньше энергии.

Выбирайте конфорку, подходящую к размеру кастрюли. Размещайте кухонную посуду по центру конфорки.

Используйте посуду, диаметр дна которой соответствует диаметру конфорки.

Рекомендация: Производители посуды часто указывают диаметр верхнего края кастрюли. Он часто больше диаметра дна.

- Неподходящая кухонная посуда или не полностью закрытые конфорки ведут к избыточному потреблению электроэнергии.

Закрывайте кастрюли подходящими крышками.

- Если вы варите без крышки, то прибору требуется значительно больше электроэнергии.

Приподнимайте крышку как можно реже.

- Если вы приподнимаете крышку, много энергии улетучивается.

Использование стеклянных крышек

- Через стеклянную крышку вы можете заглянуть в кастрюлю, не поднимая крышку.

Используйте кухонную посуду, соответствующую количеству продуктов.

- Если в кухонной посуде большого размера находится мало содержимого, то для разогрева требуется больше электроэнергии.

Используйте при варке небольшое количество воды.

- Чем больше воды находится в кухонной посуде, тем больше электроэнергии требуется для разогрева.

Заблаговременно выполняйте переключение на более низкую ступень нагрева. Используйте подходящую ступень слабого нагрева.

- При слишком высокой ступени слабого нагрева напрасно расходуется много электроэнергии.

6 Ваш новый прибор

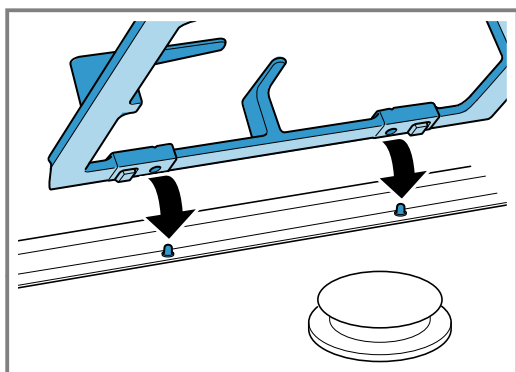
В этой главе содержится информация о вашем новом приборе.

6.1 Кнопка газовой горелки

- ▶ На кнопках есть индикаторы, которые показывают, какая горелка какой кнопкой управляется. Используйте соответствующую кнопку.

6.2 Установка режима Гриль

- ▶ Убедитесь, что режим Гриль установлен правильно, чтобы прибор мог продолжить работу. Произведите установку в соответствии с типом прибора.



6.3 Переключатель газовых конфорок

Регулировка мощности нагрева конфорок осуществляется с помощью переключателя газовых конфорок.

Положение	Функция	Описание
⊖	Нулевое положение	Варочная панель выключена.
⊕	Диапазон настройки	Большое пламя = максимальная мощность Малое пламя = минимальная мощность

При установке максимального значения настройки ощущается упор. Поворачивать регулятор температуры дальше нельзя.

6.4 Подставка под кофейник для эспрессо

Используйте кастрюли с диаметром дна менее 12 см и кофейники для варки турецкого кофе с входящей в комплект поставки насадкой для экономичной горелки, предназначенной для использования кофейника.

1. Установите насадку для кофейника на решётку экономичной горелки.
2. Не используйте насадку для кофейника для кастрюль с диаметром дна более 12 см.
3. Насадку для кофейника можно использовать только в комбинации с экономичной горелкой.

7 Перед первым использованием

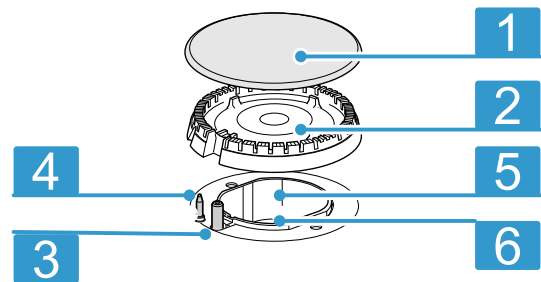
Здесь вы узнаете, как произвести очистку вашей варочной панели перед первым использованием.

7.1 Очистка принадлежностей

- ▶ Перед первым использованием тщательно очистите принадлежности горячим мыльным раствором и мягкой тканевой салфеткой.

7.2 Предварительная очистка крышки и чаши горелки

1. Очистите крышку (1) и чашу горелки (2) водой с добавлением моющего средства. Тщательно просушите каждую деталь.
2. Установите чашки и крышки горелок на основание горелки (5). Убедитесь, что свеча поджига (3) и стержень запально-защитного устройства (4) не имеют повреждений.

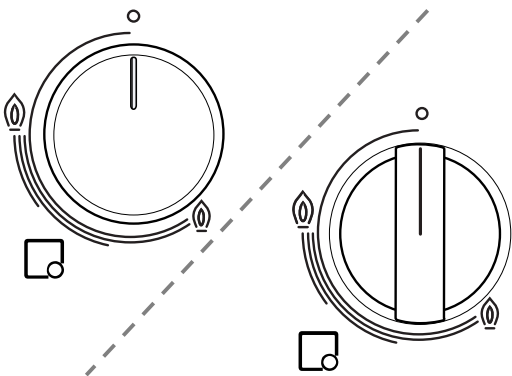


8 Управление конфоркой

8.1 Зажигание газовой горелки

Соблюдайте следующую информацию, чтобы обеспечить правильную работу прибора:

- Детали горелки и решётка должны быть установлены правильно.
 - Не заменяйте крышку горелки.
- 1-** Нажмите регулятор выбранной горелки и поверните его влево до максимального уровня мощности. При этом удерживайте регулятор нажатым. Все горелки производят искры для поджига
- 2-** Нажмите переключатель конфорки и удерживайте его нажатым в течение прим. 1–3 секунд.
- ⇒ Начинает выходить газ и газовая горелка загорается.
- ⇒ Активируется система защиты от утечки газа. С помощью системы защиты от утечки газа при внезапном погасшем пламени автоматически прекращается подача газа.



- 3** Установите нужную мощность пламени. При положении между «Выкл» и пламя нестабильное. Поэтому всегда выбирайте положение между большим и малым пламенем.

4. Проверьте, горит ли пламя. Если пламя не горит, повторите этот шаг.
5. Для выключения газа: Переведите переключатель конфорки направо в положение.

8.2 Зажигание газовой горелки вручную

При отключении электроэнергии вы можете зажечь горелку вручную. Нажмите регулятор выбранной горелки и поверните его влево до максимального уровня мощности. Держите зажигалку или пламя (спички и т. д.) возле горелки.

8.3 Важные указания по использованию газовой плиты

Соблюдайте эти указания при использовании газовой плиты.

Легкий свист во время работы горелки — это нормальное явление.

Появление запахов в первое время использования

— нормальное явление. Это не является признаком опасности или неисправности. Со временем это прекратится.

- Пламя оранжевого цвета — это нормальное явление. Это может быть вызвано частицами пыли в воздухе, пролитой жидкостью и т. д.
- Если пламя горелки случайно погасло, выключите переключатель горелки и подождите не менее 1 минуты, прежде чем снова зажечь горелку.
- Через несколько секунд после выключения могут быть слышны шумы, похожие на легкий щелчок горелки. В этом нет ничего необычного; этот звук служит подтверждением отключения предохранителя.
- Держите свечи поджига чистыми. Грязные свечи поджига повреждают горелки. Регулярно очищайте свечи поджига небольшой неметаллической щеточкой. Следите за тем, чтобы свечи поджига не подвергались сильным ударам.

9 Таблица - приготовление пищи

Время приготовления зависит от вида, веса и качества продуктов. Поэтому возможны некоторые отклонения от указанных значений. Оптимальное время приготовления лучше всего вы можете определить самостоятельно.

Для каждой конфорки выбирайте кастрюли подходящего размера. Диаметр дна кастрюли и сковороды должен соответствовать размеру конфорки.

Заметка: Витамины и минеральные вещества в продуктах теряются легко, поэтому при приготовлении не используйте большое количество воды, чтобы обеспечить сохранение витаминов и минеральных веществ в продуктах. Для того, чтобы овощи не разварились и сохранили свои питательные вещества, сокращайте по возможности время их приготовления.

Пример	Продукты	Конфорка	Степень нагрева
Растапливание	Шоколад, сливочное масло, маргарин	Экономичная газовая горелка Электрическая конфорка**	Малое пламя 1-2
Разогревание	Бульон, консервированные овощи	Стандартная газовая горелка Электрическая конфорка**	Малое пламя 2-3-4-5
Разогревание и поддержание в горячем состоянии	Супы	Экономичная газовая горелка Электрическая конфорка**	Малое пламя 2-3
Приготовление на пару*	Рыба	Стандартная газовая горелка Электрическая конфорка**	Между большим и малым пламенем 5
Тушение*	Картофель и прочие овощи, мясо	Стандартная газовая горелка Электрическая конфорка**	Между большим и малым пламенем 6-7-8
Варка*	Рис, овощи, мясные блюда (с соусами)	Стандартная газовая горелка Электрическая конфорка**	Большое пламя 7-8
Жарение	Блины, картофель, шницель, рыбные палочки	Большая газовая горелка** Конфорка Wok** Электрическая конфорка**	Между большим и малым пламенем Между большим и малым пламенем 9

Примечания

- * Если вы используете кастрюлю с крышкой, убавьте пламя, как только блюдо начнет закипать.

- ** В качестве опции. Доступно для некоторых приборов. В зависимости от типа прибора. (Для жарения на газовой горелке Wok мы рекомендуем использовать специальную сковороду.)

10 Кухонная посуда

Следующие указания помогут вам сэкономить электроэнергию и избежать повреждения посуды.

10.1 Использование кухонной посуды

Выбор и установка кухонной посуды влияют на безопасность и энергоэффективность вашего прибора.

⚠ ПРЕДУПРЕЖДЕНИЕ – Опасность возгорания!

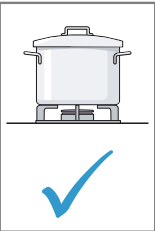
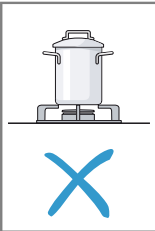
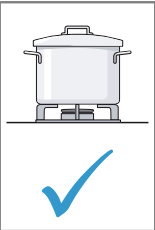
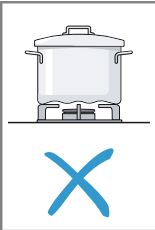
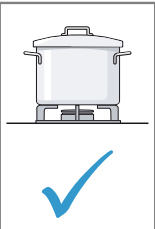
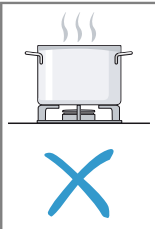
Легковоспламеняющиеся детали могут загореться.

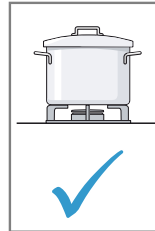
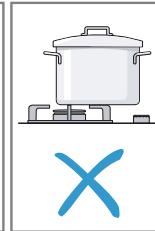
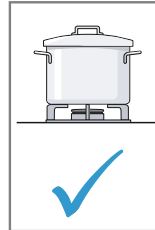
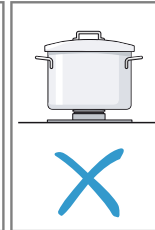
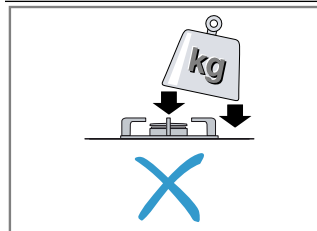
- ▶ Расстояние между посудой и воспламеняющимися деталями кухонного оборудования должно составлять не менее 50 мм.

⚠ ПРЕДУПРЕЖДЕНИЕ – Опасность травмирования!

Неправильно установленная сковорода Wok может стать причиной травм. Устойчивость сковороды Wok не обеспечивается и она может опрокинуться.

- ▶ Используйте индикаторное кольцо Wok и сковороду Wok только на горелке Wok. Никогда не устанавливайте кольцо Wok и сковороду Wok на стандартную газовую горелку или газовую горелку повышенной мощности.

		<ul style="list-style-type: none"> Убедитесь, что размеры посуды подходят для горелки. Никогда не ставьте маленькую посуду на большие горелки. Убедитесь, что пламя не касается стенок посуды.
		<ul style="list-style-type: none"> Не используйте деформированную посуду. Деформированная посуда неустойчиво стоит на варочной панели и может опрокинуться. Используйте посуду с плоским толстым дном.
		<ul style="list-style-type: none"> Не готовьте без крышки. Убедитесь, что крышка не сдвинута. При приготовлении без крышки теряется большая часть энергии.

		<ul style="list-style-type: none"> Размещайте посуду в центре горелки, иначе посуда может опрокинуться. Не размещайте большую посуду на горелки вблизи элементов управления. Элементы управления могут быть повреждены из-за перегрева.
		<ul style="list-style-type: none"> Устанавливайте посуду на решётку для посуды. Никогда не устанавливайте посуду прямо на горелку. Перед использованием убедитесь, что решетка для посуды и крышки газовых горелок установлены правильно.
		<ul style="list-style-type: none"> Осторожно обращайтесь с посудой, находящейся на варочной панели. Не ударяйте по варочной панели. Не ставьте тяжелые предметы на варочную панель.

11 Очистка и уход

При тщательном уходе и очистке ваша варочная панель надолго сохранит свою функциональность. В целях безопасности отключите подачу газа на регуляторе давления газа. (Если конфорка работает на природном газе, перекройте кран подачи природного газа).

Отсоедините прибор от электросети.

Возможно, вам придется подождать, пока конфорка остынет.

Чтобы не допустить повреждения различных поверхностей в результате применения неподходящих чистящих средств, соблюдайте следующие указания.

- Не очищайте прибор под давлением или горячим паром.
- Не используйте легковоспламеняющиеся вещества, такие как кислота, разбавитель, бензин или бензол.
- Не используйте абразивные чистящие средства или материалы для очистки.

При очистке конфорки

- не используйте неразбавленные средства для мытья посуды или для посудомоечных машин,
- чистящие средства с большим содержанием спирта,

- жесткие мочалки или губки,
- едкие чистящие средства, например, для очистки духовок или пятновыводители,
- и не используйте агрессивные или абразивные чистящие средства.
- Запрещается мыть отдельные детали в посудомоечной машине.
- Новые губки для мытья посуды тщательно вымойте перед использованием.

11.1 Очистка

Соблюдайте следующие указания по очистке.

Зона очистки	Инструкция по очистке
Поверхности из высококачественной стали	Очищайте мягкой тканевой салфеткой со средством для нержавеющей стали. Всегда протирайте прибор параллельно естественной текстуре поверхности. В противном случае могут появиться царапины. Вытрите насухо мягкой салфеткой. Незамедлительно удаляйте пятна извести, жира, крахмала и яичного белка. Не используйте для очистки агрессивные чистящие средства, абразивные губки или салфетки из жестких тканей. Используйте очиститель для нержавеющей стали, чтобы отполировать фасады из нержавеющей стали. Соблюдайте указания производителя. Специальные принадлежности можно приобрести через сервисную службу или в специализированном магазине.
Эмалированные, лакированные поверхности и поверхности с шелкографической печатью	Протрите тёплой водой с небольшим количеством средства для мытья посуды. Вытрите насухо мягкой салфеткой.
Газовые горелки и стальные решётки	Не мойте в посудомоечной машине. Снимите стальные решётки и очистите их теплой водой с помощью губки и средства для мытья посуды. Снимите корпус и крышку горелки. Очистите теплой водой с помощью губки и средства для мытья посуды. Убедитесь, что отверстия для выхода газа на корпусе горелки чистые и не засорены. Очистите свечи поджига с помощью небольшой мягкой щётки. Газовые горелки функционируют только в том случае, если свечи поджига чистые. Удалите остатки пищи с корпуса горелки тканевой салфеткой с небольшим количеством теплой мыльной воды. Используйте небольшое количество воды, чтобы она не попала во внутрь. Убедитесь, что отверстие форсунки не было закупорено или повреждено во время очистки. После очистки хорошо просушите все детали и установите крышку горелки точно на корпус горелки. Неправильная установка отдельных деталей затрудняет поджиг горелки. Установите стальные решётки. Чистящие средства, рекомендованные для очистки стальных решёток, можно приобрести через сервисную службу или в специализированных магазинах.

Зона очистки	Инструкция по очистке
Электрическая конфорка (в зависимости от типа прибора)	Очищайте жёсткой стороной чистящей губки с небольшим количеством жидкого чистящего средства. После очистки ненадолго включите конфорку для просушки. Влажные конфорки со временем ржавеют. В завершение нанесите специальное средство для ухода. Сразу удалите пролитую жидкость и остатки пищи.
Металлический нагревательный элемент электрической конфорки (в зависимости от типа прибора)	Со временем цвет покрытия может измениться и больше не восстановиться. Так можно устранить изменение цвета. Очищайте элемент жёсткой стороной чистящей губки с небольшим количеством жидкого чистящего средства, стараясь не трогать прилегающие поверхности. Поверхность прибора может быть повреждена. Чистящие средства, рекомендованные для очистки металлического нагревательного элемента конфорки, можно приобрести через сервисную службу или в специализированных магазинах.
Вращающиеся ручки принадлежности	Протрите тёплой водой с небольшим количеством средства для мытья посуды. Вытрите насухо мягкой салфеткой. Замочите в тёплом мыльном растворе. Очистите с помощью неметаллической щётки или губки.
Верхняя стеклянная крышка (в зависимости от типа прибора)	Средство для очистки стёкол: очистите с помощью мягкой тканевой салфетки. Для очистки верхнюю стеклянную крышку можно снять. Для этого см. главу «Верхняя стеклянная крышка».

Если стальные решётки оснащены резиновой накладкой, будьте осторожны при очистке. Накладка может оторваться, а стальная решётка может поцарапать варочную панель. После очистки и сушки стальных решёток убедитесь, что они правильно установлены на конфорках.

11.2 Уход

Для сохранения работоспособности вашего прибора соблюдайте следующие инструкции по уходу.

- Сразу вытирайте пролитые жидкости. Это предотвратит прилипание остатков пищи и облегчит очистку в дальнейшем.
- Очищайте поверхности остывшей горелки после каждого использования. Пятна на поверхности от выкипевших блюд или брызг жира образуют слой, затрудняющий последующую очистку. Чтобы пламя горело соответствующим образом, отверстия и проходы должны быть чистыми.
- Некоторые предметы посуды могут оставить следы от металла на стальной решётке при передвижении.
- Протрите горелки и стальные решётки теплой мыльной водой и прочистите неметаллической щёткой.

- Детали прибора запрещается мыть в посудомоечной машине.
- Держите горелки и стальные решётки в чистоте. Капли воды или влажные участки на варочной панели в начале процесса приготовления могут повредить эмаль.
- Не используйте чистящие средства для нержавеющей стали в зоне переключателей. Символы на шелкографической печати могут размываться.
- Тщательно очищайте пятна кислотосодержащих продуктов, таких как пролитое масло или лимонный сок.
- При чистке панели управления не используйте абразивные чистящие средства. В противном случае можно стереть надпись.
- Крышка горелки покрыта черной эмалью. Из-за воздействия высоких температур могут появиться цветные пятна. Это не влияет на работу конфорки.
- Не передвигайте сковороды по поверхности, чтобы не поцарапать её. Не допускайте падения тяжёлых или твердых предметов на стеклянную панель. Не ударяйте по панели частями сковороды.
- Песчинки после мытья фруктов или овощей могут поцарапать поверхность стекла.
- Удалите растопленный сахар или кусочки пищи с высоким содержанием сахара с конфорки скребком для стеклянных поверхностей.
- Не допускайте попадания соли на электрическую конфорку.

12 Устранение неисправностей

Вы можете самостоятельно устранить незначительные неисправности вашего прибора. Воспользуйтесь информацией из главы «Устранение неисправностей» перед обращением в сервисную службу. Это позволит избежать дополнительных расходов.

⚠ ПРЕДУПРЕЖДЕНИЕ – Опасность травмирования!

При неквалифицированном ремонте прибор может стать источником опасности.

- ▶ Ремонтировать прибор разрешается только обученным специалистам.
- ▶ Если прибор неисправен, обратитесь в сервисную службу.

⚠ ПРЕДУПРЕЖДЕНИЕ – Опасность поражения электрическим током!

При неквалифицированном ремонте прибор может стать источником опасности.

- ▶ Ремонтировать прибор разрешается только квалифицированным специалистам.
- ▶ Для ремонта прибора можно использовать только оригинальные запчасти.
- ▶ Во избежание опасностей замена поврежденного сетевого кабеля данного прибора может быть выполнена только производителем или авторизованной им сервисной службой либо лицом, имеющим аналогичную квалификацию.

12.1 Сбои в работе

Неисправность	Причина и устранение неисправностей
Прекращена работа всех электроприборов.	Неисправен предохранитель.
	▶ Проверьте предохранитель в блоке предохранителей.
	Сработала защитная автоматика или устройство защитного отключения.
	▶ Проверьте, сработала защитная автоматика или устройство защитного отключения в блоке предохранителей.
	Вилка сетевого кабеля не вставлена в розетку.
	▶ Подключите прибор к электросети.
	Сбой электропитания.
	▶ Проверьте, работает ли освещение или другие приборы в помещении.
	В пространстве между свечой поджига и горелкой находятся остатки пищи и загрязнения.
	Детали горелок мокрые.
Автоматический поджиг не работает.	Детали горелки расположены неправильно.
	▶ Детали горелки расположены правильно.
	Прибор не заземлен, подключен ненадлежащим образом или заземлен провод заземления.
	▶ Обратитесь к квалифицированному электрику.
	Детали горелки расположены неправильно.
Пламя горит неравномерно.	▶ Детали горелки расположены правильно.
	Отверстия горелки загрязнены.

Неисправность	Причина и устранение неисправностей
Поток газа поступает несоответствующим образом или газ не поступает.	Подача газа прервана из-за закрытых промежуточных вентилей. ▶ Откройте промежуточные вентили. Газовый баллон пуст.
В кухне чувствуется запах газа.	Регулятор открыт. ▶ Закройте регулятор. Газовый баллон подключен ненадлежащим образом. ▶ Убедитесь, что газовый баллон подключен правильно. Газопровод прибора негерметичен. 1. Перекройте главный газовый кран. 2. Проветрите помещение. 3. Немедленно позвоните в авторизованную компанию по установке, специалисты которой проверят газовую систему и выдадут акт об установке. 4. Не используйте прибор, пока не убедитесь, что из места установки или из самого прибора нет утечки газа.
Горелка отключится, как только вы отпустите регулятор.	Регулятор был нажат недостаточно долго. Отверстия горелки загрязнены.

13 Сервисная служба

Если у вас имеются вопросы по использованию, вам не удастся самостоятельно устранить неисправность прибора или требуется отремонтировать прибор, обратитесь в нашу сервисную службу. Подробную информацию о гарантийном сроке и условиях гарантии в вашей стране вы можете запросить в нашей сервисной службе, у вашего продавца или найти на нашем сайте. При обращении в сервисную службу укажите номер изделия (E-Nr.) и заводской номер (FD) прибора. Адрес и телефон сервисной службы можно найти в прилагаемом перечне сервисных служб или на нашем веб-сайте.

13.1 Номер изделия (E-Nr.) и заводской номер (FD)

Номер изделия (E-Nr.) и заводской номер (FD) вы найдете на фирменной табличке своего прибора. Чтобы быстро найти данные прибора и номер телефона сервисной службы, вы можете записать эти данные.

14 Утилизация

Здесь приведены указания по надлежащей утилизации старых бытовых приборов.

14.1 Утилизация старого бытового прибора

Утилизация в соответствии с экологическими нормами обеспечивает возможность вторичного использования ценных сырьевых материалов.

1. Выньте из розетки вилку сетевого кабеля.
2. Обрежьте сетевой кабель прибора.
3. Утилизируйте прибор в соответствии с экологическими нормами.
Сведения о возможных способах утилизации можно получить в специализированном торговом предприятии, а также в районных или городских органах управления.



Данный прибор имеет отметку о соответствии европейским нормам 2012/19/EU утилизации электрических и электронных приборов (waste electrical and electronic equipment - WEEE).

Данные нормы определяют действующие на территории Евросоюза правила возврата и утилизации старых приборов.



A series of horizontal lines for writing, starting from the top of the page and extending downwards. The lines are evenly spaced and cover the majority of the page's width.



Thank you for buying a Bosch Home Appliance!

Register your new device on MyBosch now and profit directly from:

- **Expert tips & tricks for your appliance**
- **Warranty extension options**
- **Discounts for accessories & spare-parts**
- **Digital manual and all appliance data at hand**
- **Easy access to Bosch Home Appliances Service**

Free and easy registration – also on mobile phones:

www.bosch-home.com/welcome

BOSCH
HOME APPLIANCES
SERVICE

Looking for help? You'll find it here.

Expert advice for your Bosch home appliances, help with problems or a repair from Bosch experts.

Find out everything about the many ways Bosch can support you:

www.bosch-home.com/service

Contact data of all countries are listed in the attached service directory.

Robert Bosch Hausgeräte GmbH

Carl-Wery-Straße 34

81739 München

GERMANY

www.bosch-home.com



9001651857 (010622) A

en, kk, ru